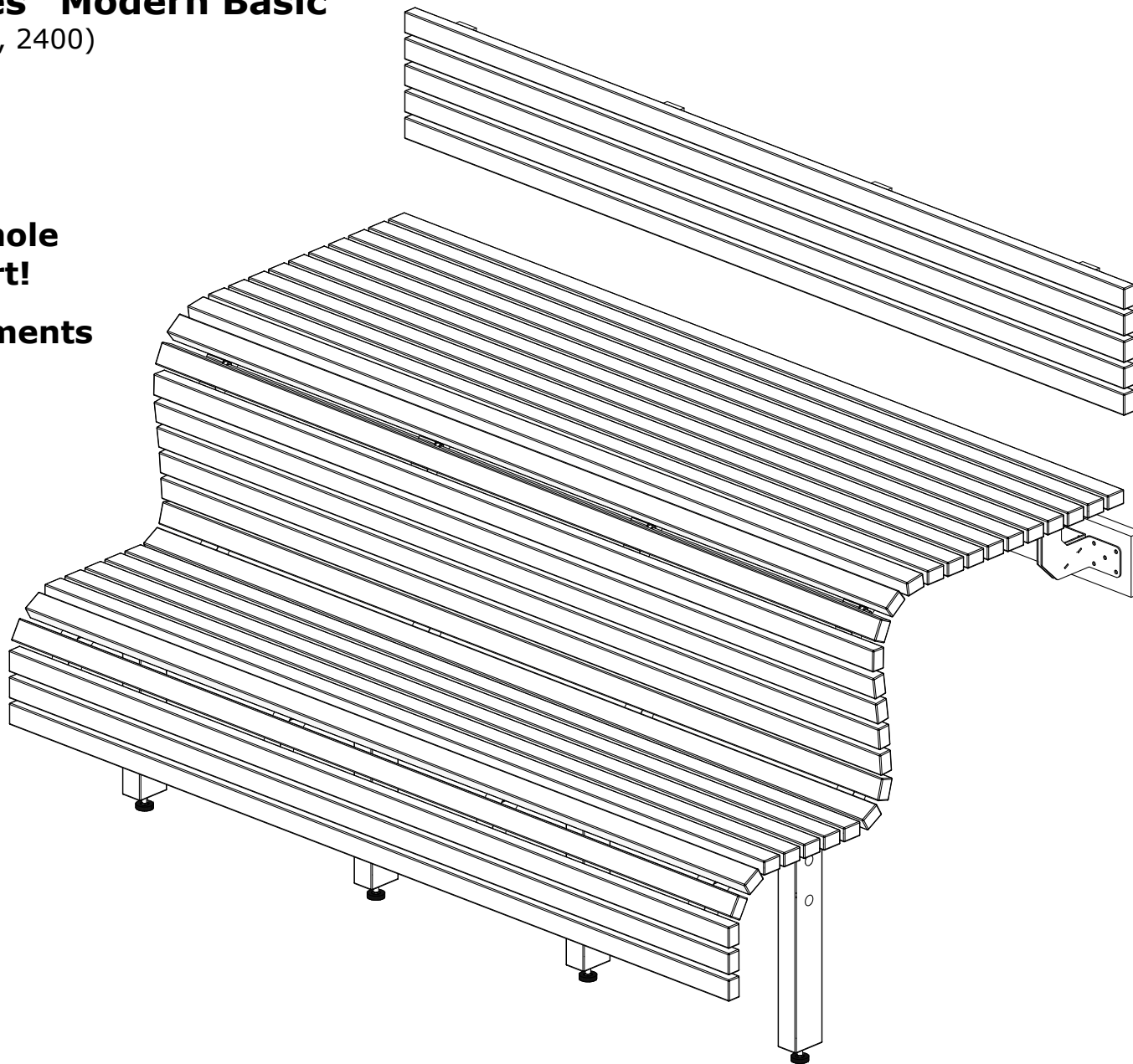


Lux Sauna benches "Modern Basic"

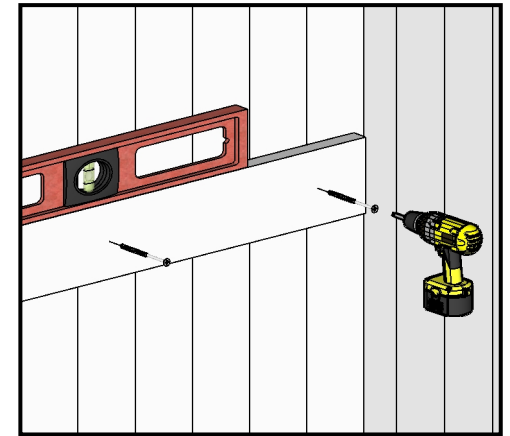
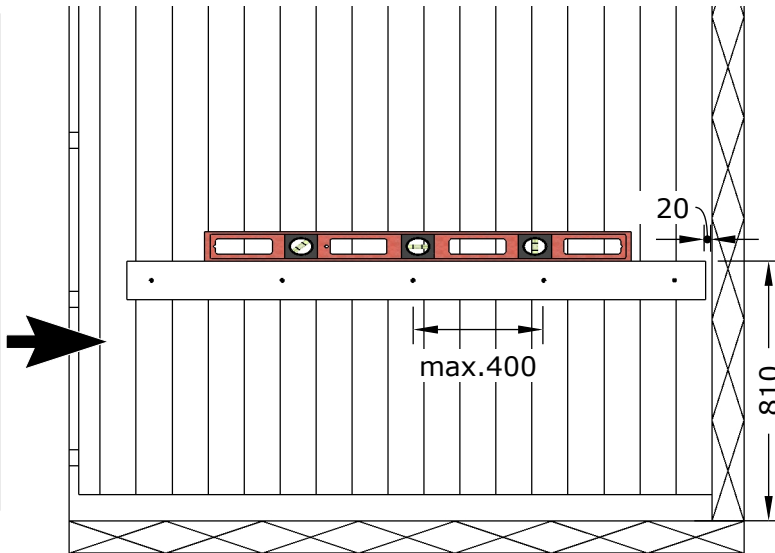
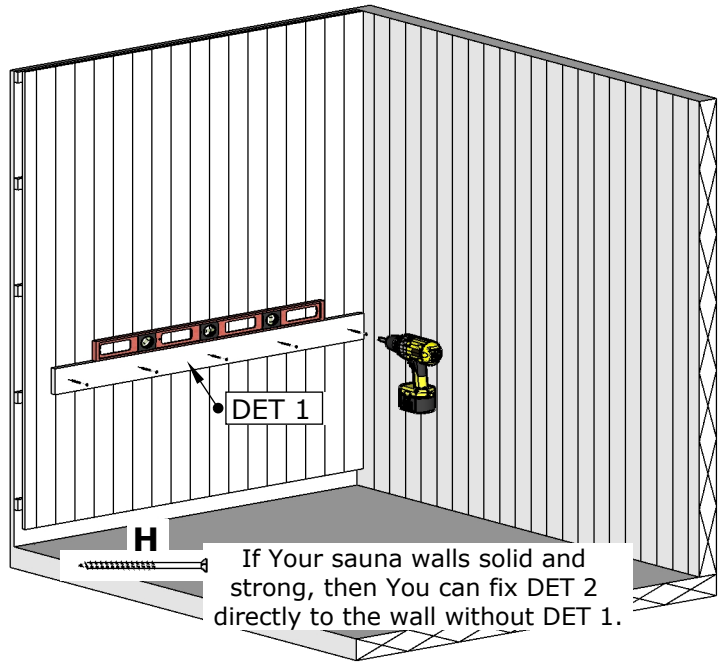
(Lenght 1500, 1800, 2100, 2400)

**Please read the whole
manual before start!**

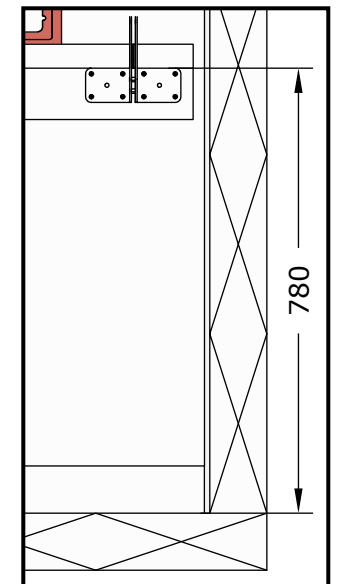
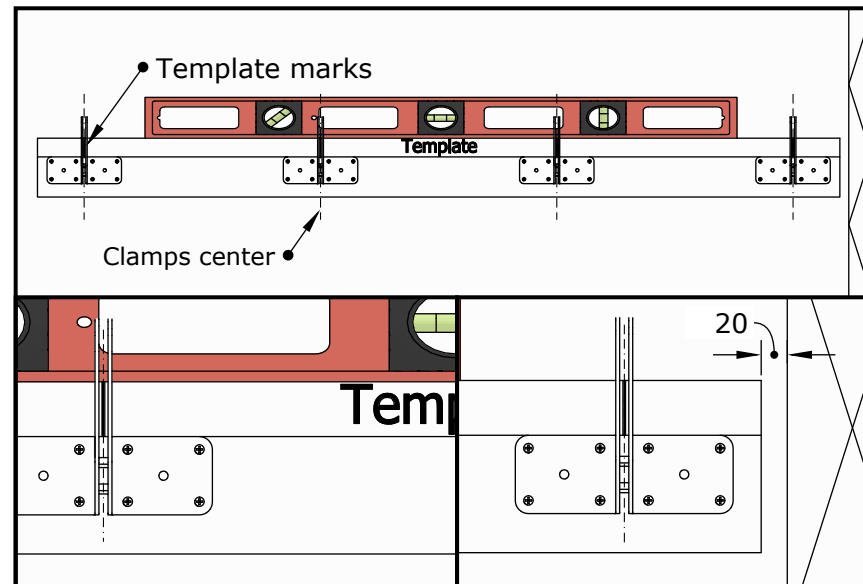
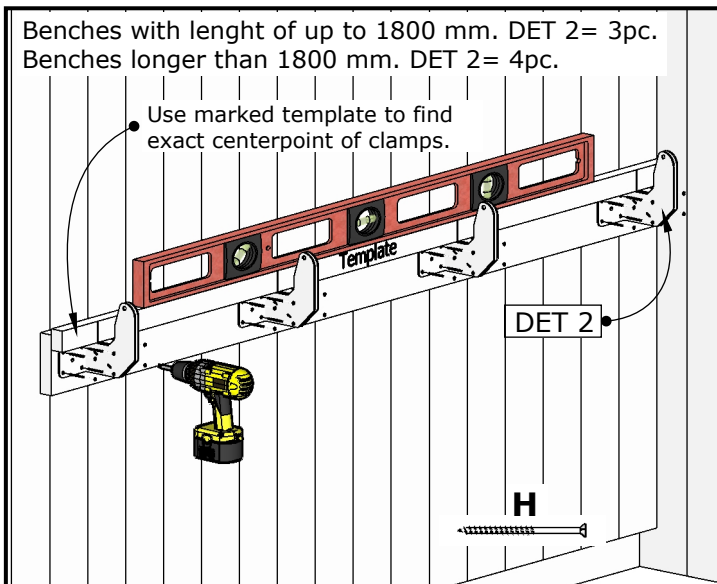
**All given measurements
are in millimeters!**



Lux Sauna benches "Modern Basic"



I



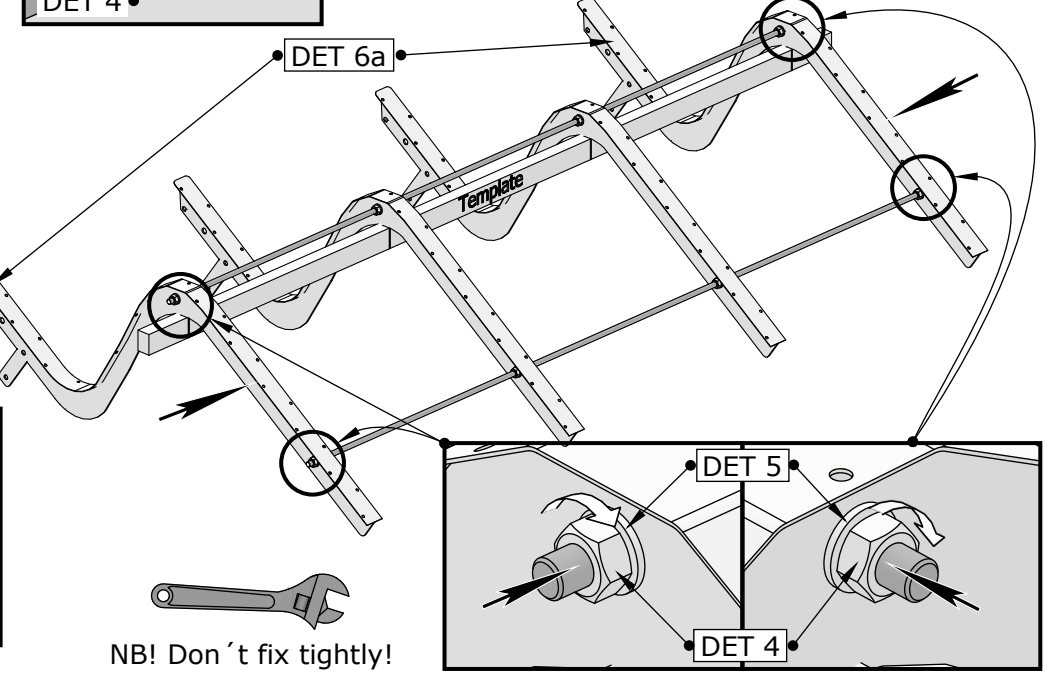
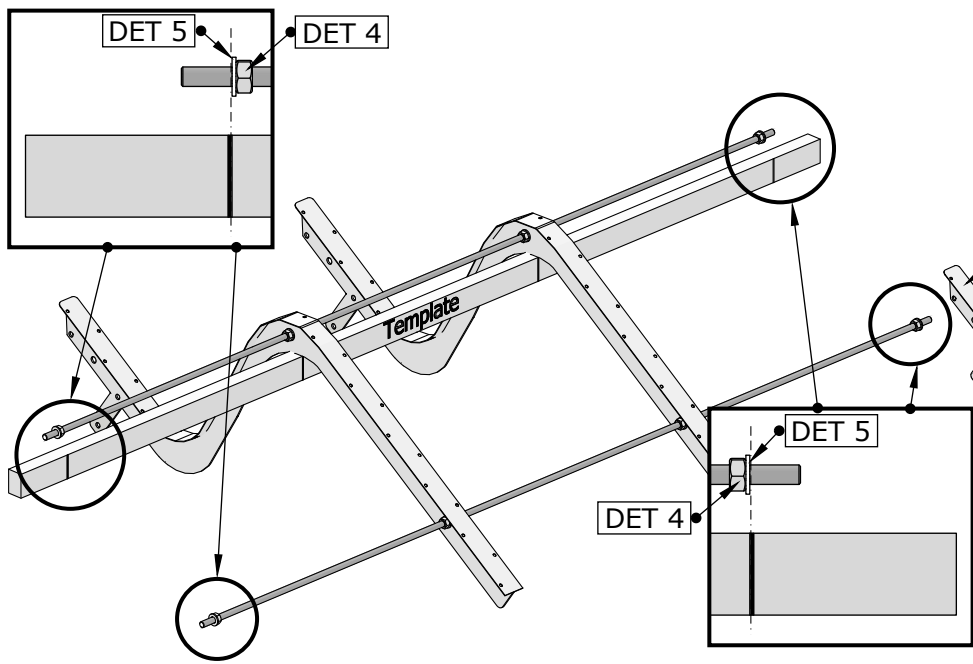
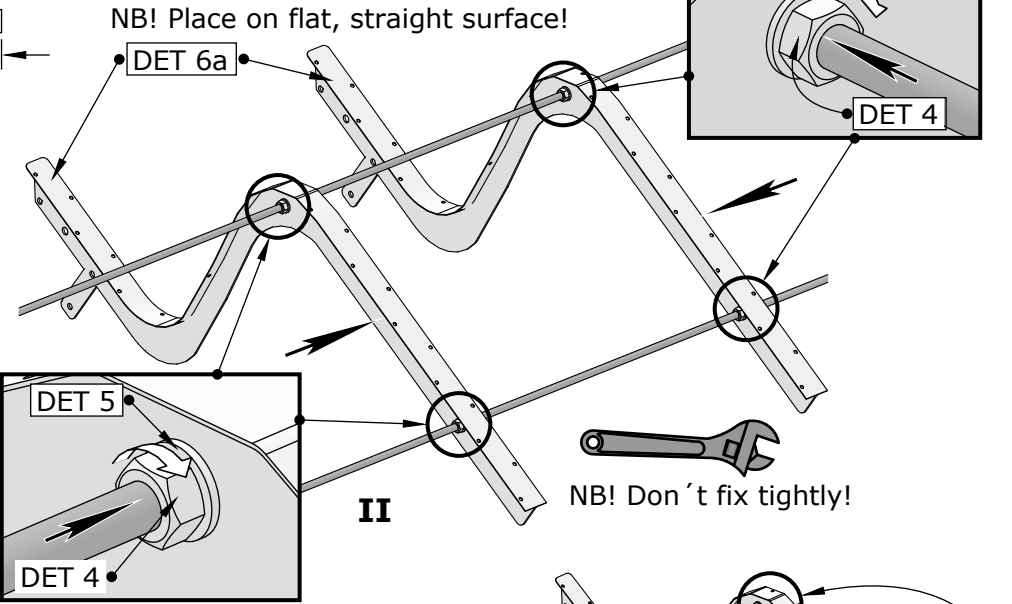
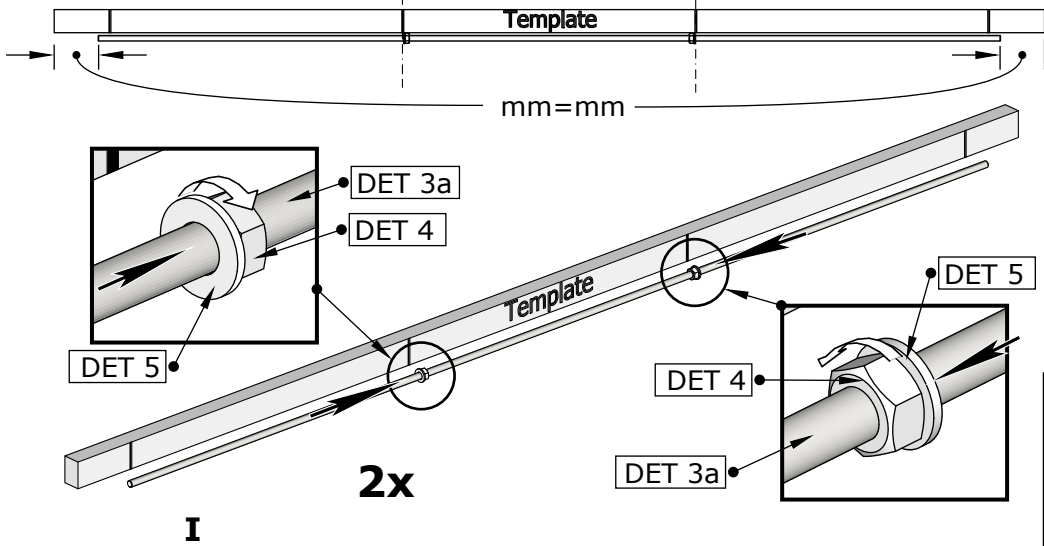
1.

II

Lux Sauna benches "Modern Basic"

Use template to find washer and nut position!

Benches with length of up to 1800 mm. DET 2= 3pc.
Benches longer than 1800 mm. DET 2= 4pc.

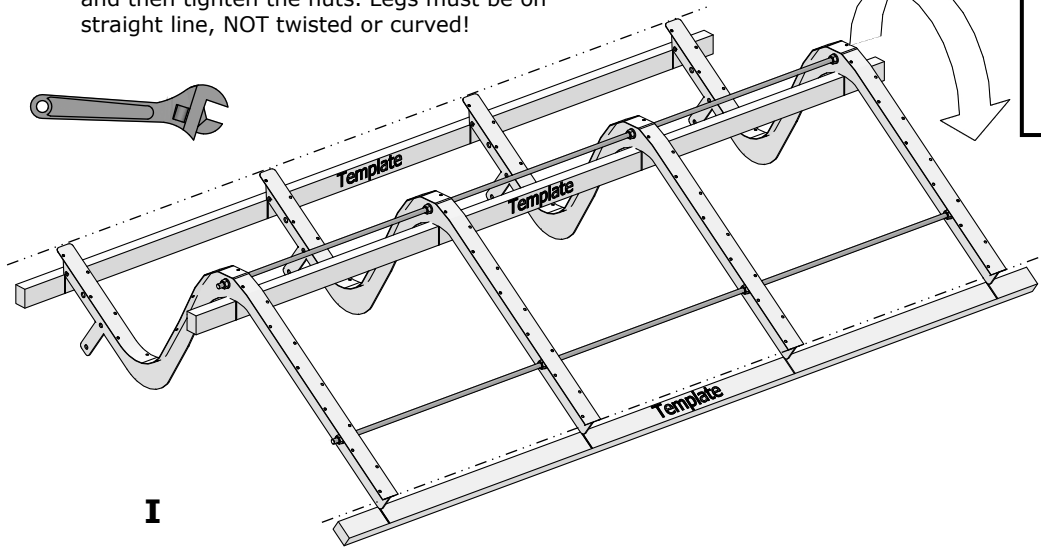


2. **III**

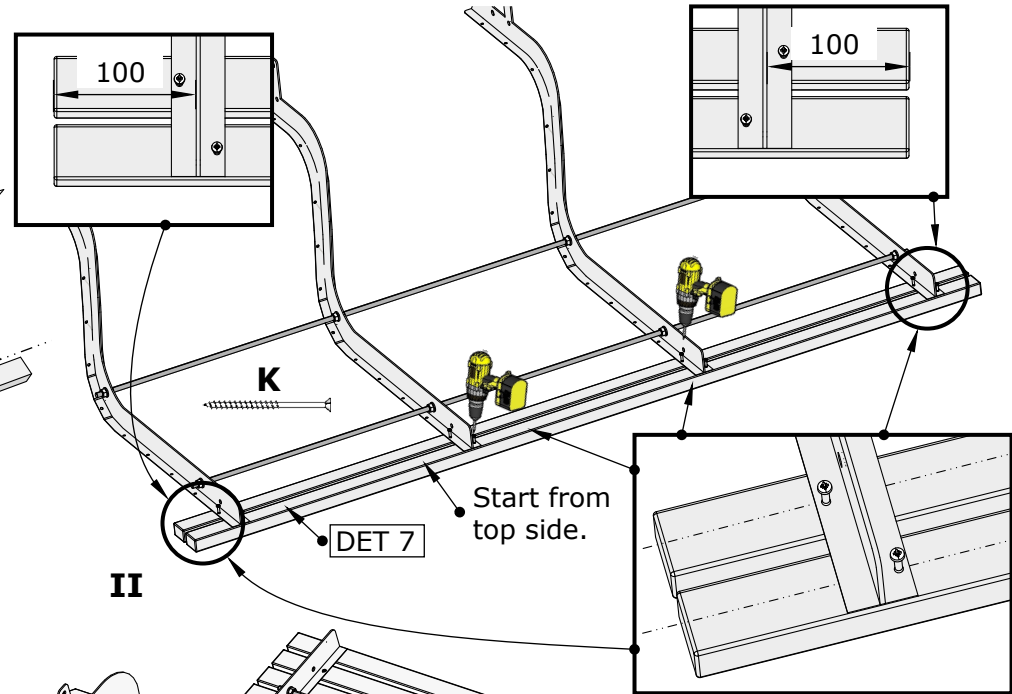
Lux Sauna benches "Modern Basic"

NB! Double-check legs position with template and then tighten the nuts. Legs must be on straight line, NOT twisted or curved!

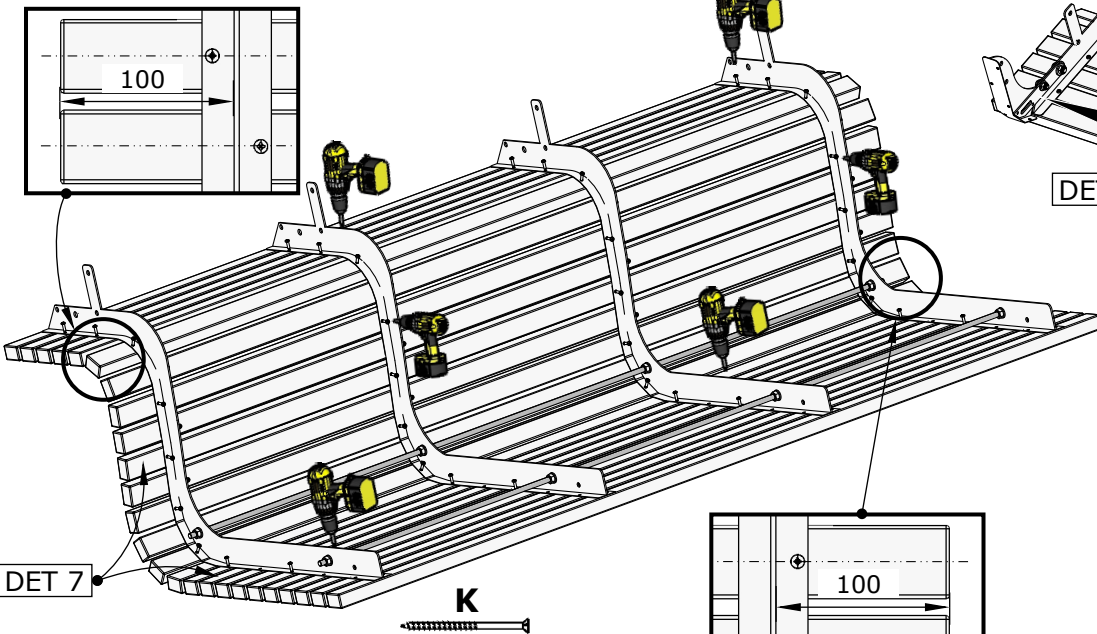
Turn around!



I



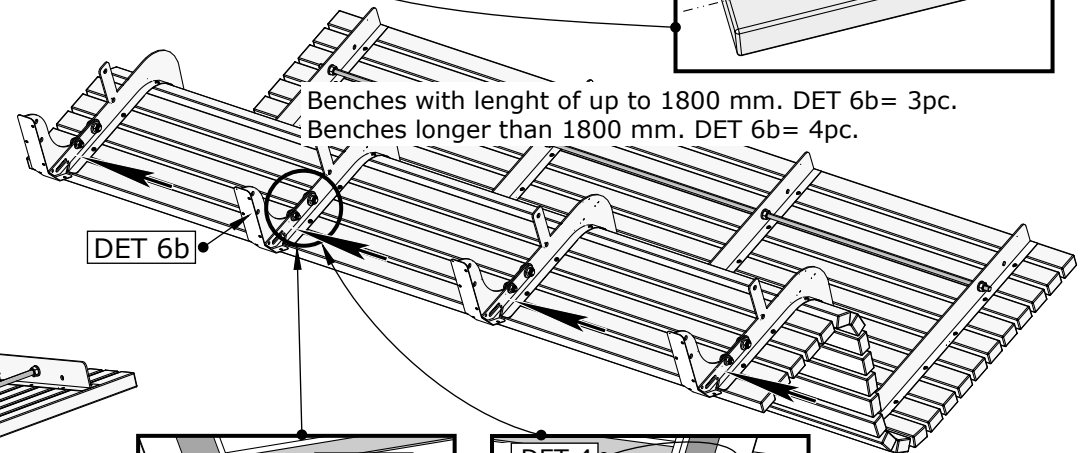
II



DET 7

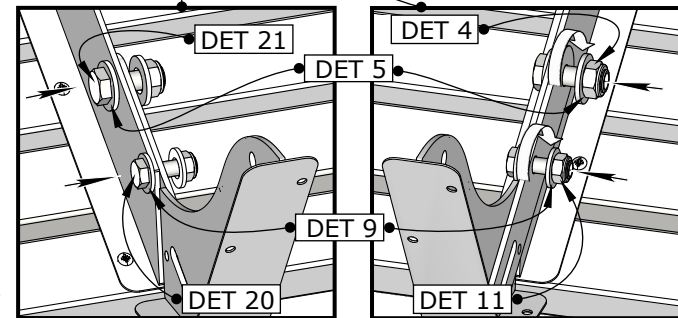
K

III



DET 6b

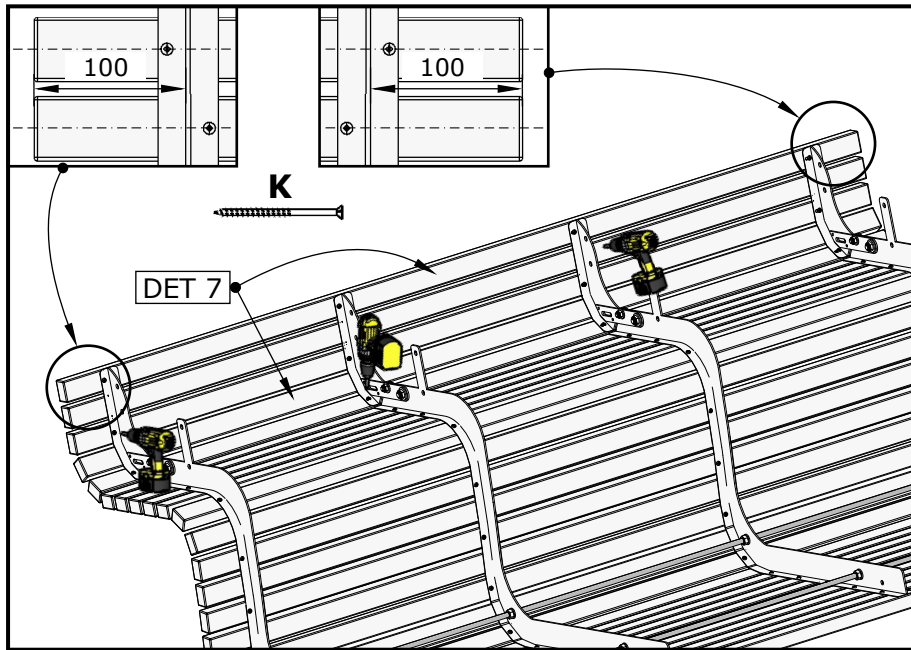
Benches with length of up to 1800 mm. DET 6b= 3pc.
Benches longer than 1800 mm. DET 6b= 4pc.



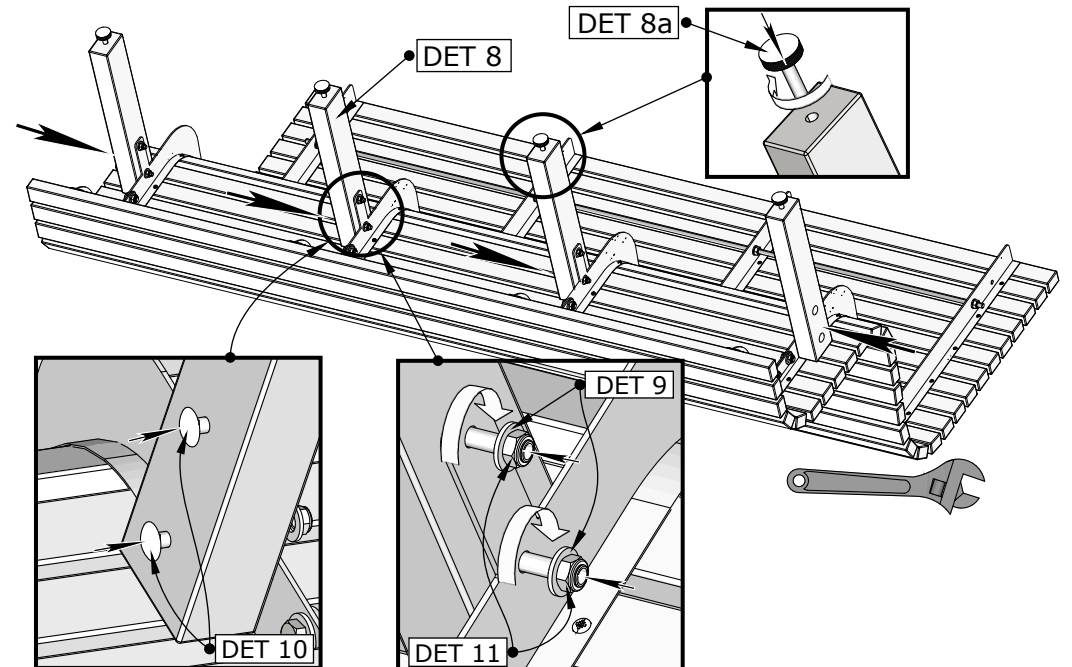
IV

3.

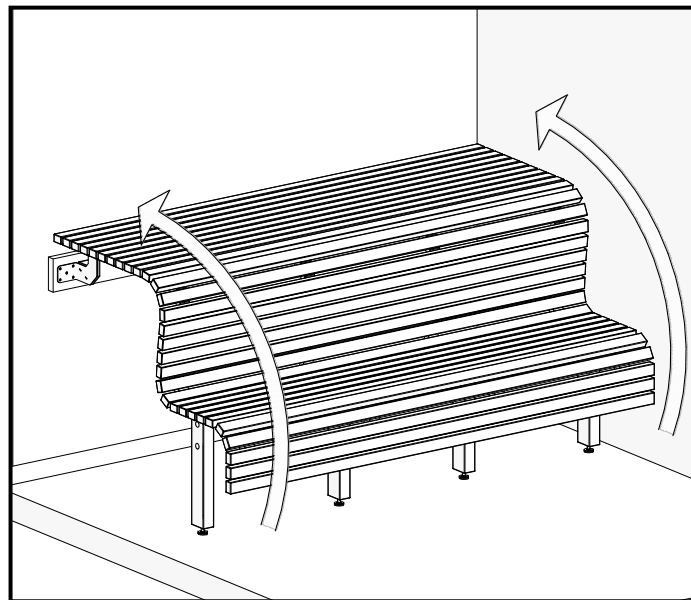
Lux Sauna benches "Modern Basic"



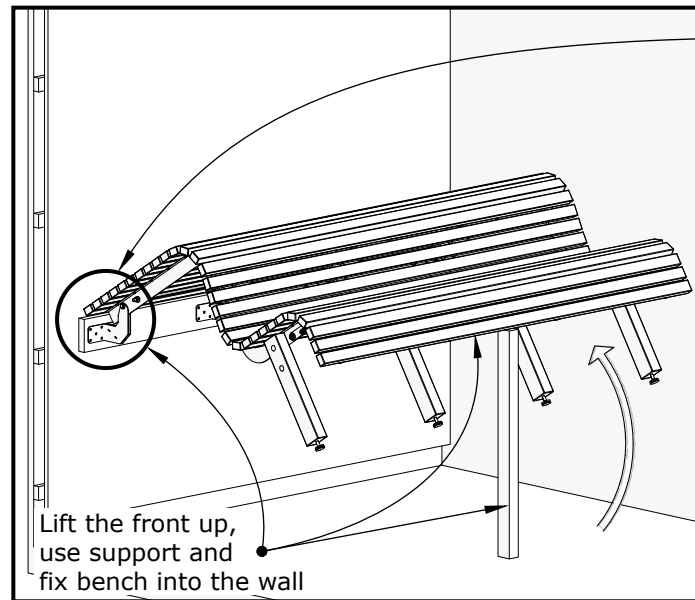
I



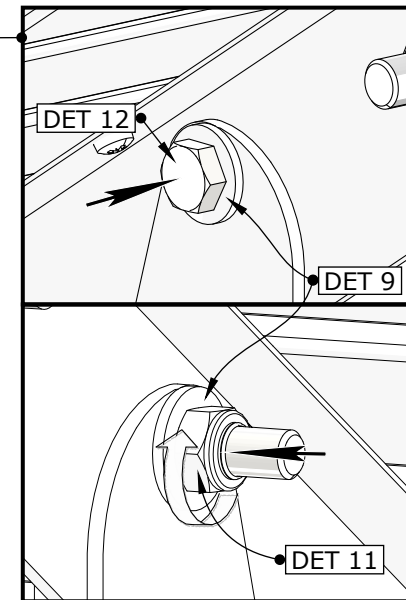
II



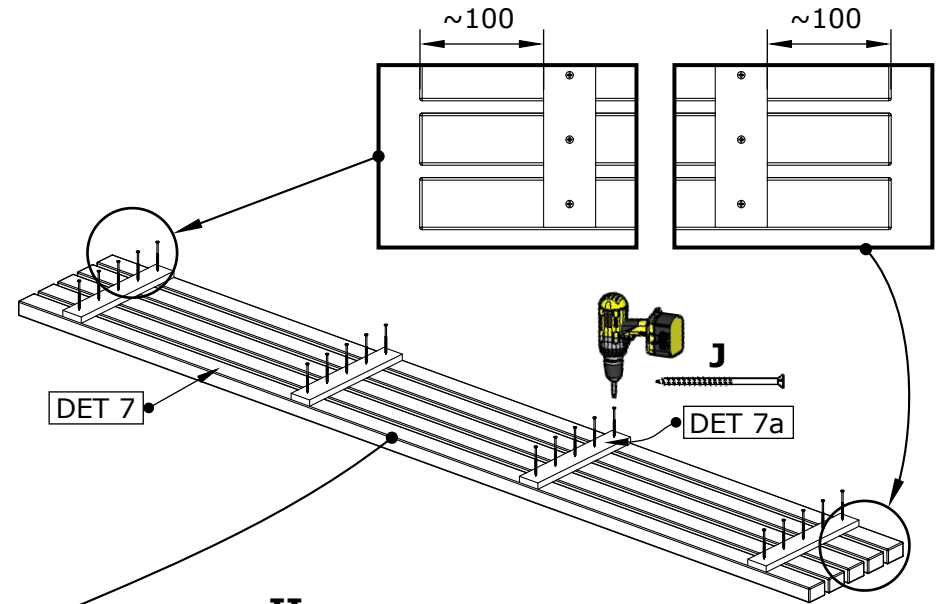
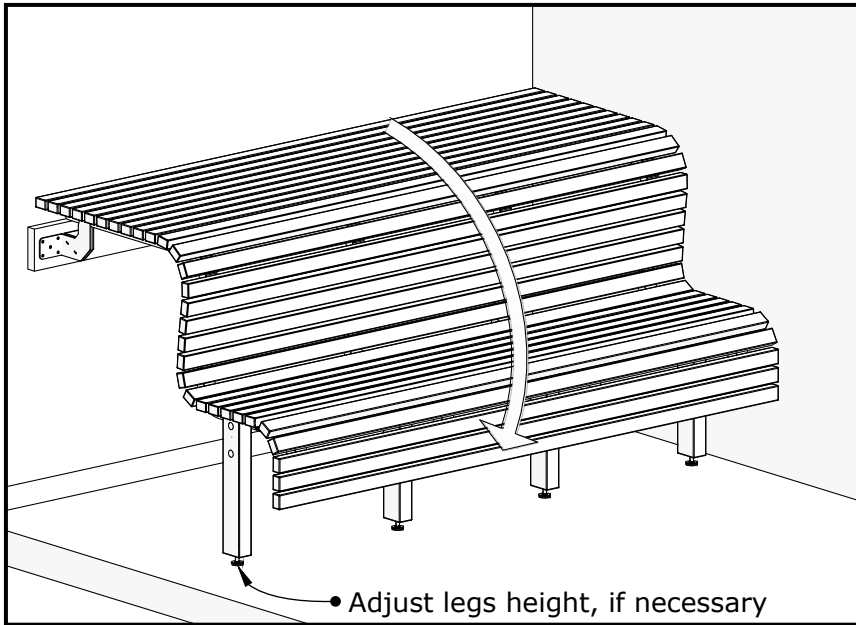
4. III



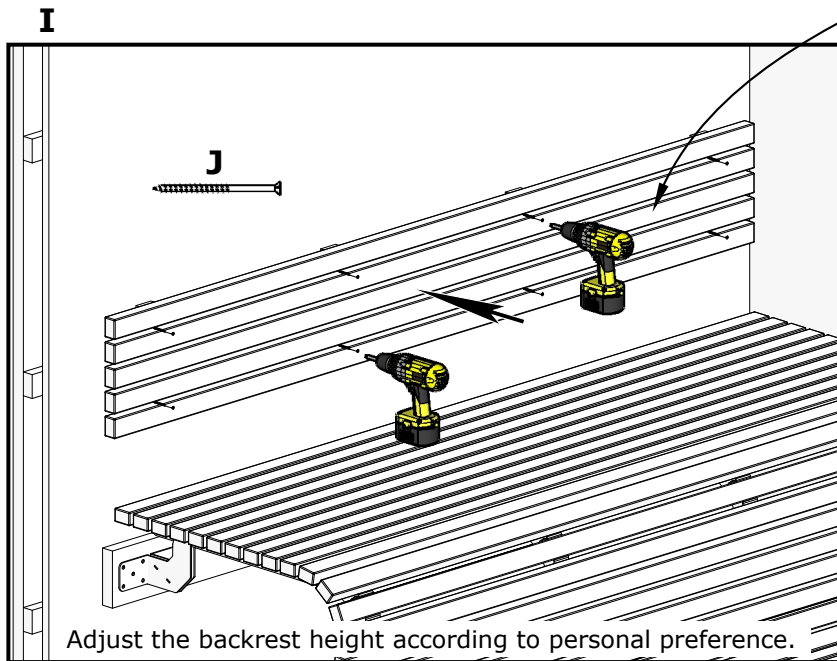
IV



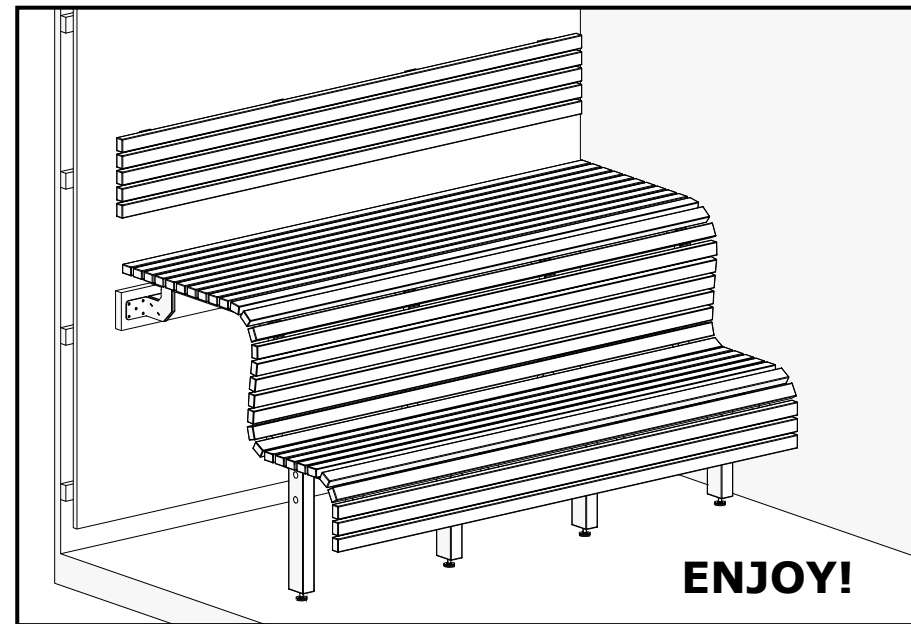
Lux Sauna benches "Modern Basic"



II Benches with length of up to 1800 mm. DET 7a= 3pc.
Benches longer than 1800 mm. DET 7a= 4pc.



5. III



IV