



Technical data sheet

# Bi-O Max

## Sauna heater for domestic and commercial saunas. Floor-standing model.

Premium class floor-standing sauna heater with integrated vaporizer for flexible climate forms - from dry & hot to mild & steamy, herbal bath and others. Extra large 60 kg rock volume ensures high temperature stability and great water evaporation capacity for intensive water infusions.

### Your advantages:

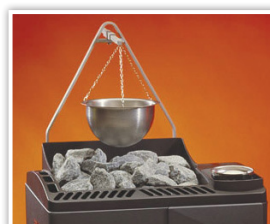
- High performance sauna heater with durable, long-lasting construction. Completely made of stainless steel.
- Integrated 2 kW vaporizer for flexible sauna climate forms.
- Extra large 60 kg rock store for the perfect „loylu“ effect.
- Easy to service, rock store placed above heating elements.
- VDE approved for safety and norm compliance.
- Made in Germany quality from EOS.

### Specifications:

Outer shell:	Stainless steel with anthracite pearl effect powder coating, scratch resistant
Top:	Die-cast aluminium, anthracite pearl effect coating
Rear wall:	Stainless steel, blank polished
Rock store:	Stainless steel, above heating elements
Terminal box:	Stainless steel, at the rear side
Vaporizer:	2 kW, 8 l stainless-steel tank, manual water filling, low-water sound alarm, water level indicator, with drain valve.
Power range:	9.0, 12.0 and 15.0 kW
Power supply:	400 V 3N AC 50 Hz
Dimensions:	92,5 x 50 x 50 cm
Stone filling:	60 kg, incl. in delivery
Installation:	Floor-standing



### Accessories:



Herbs bowl with mounting bracket



Herbs tray with mounting bracket

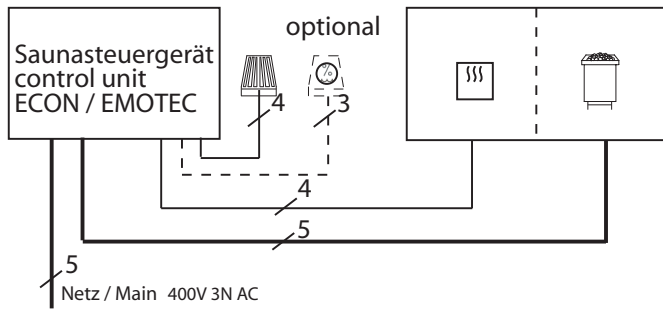


MADE IN GERMANY

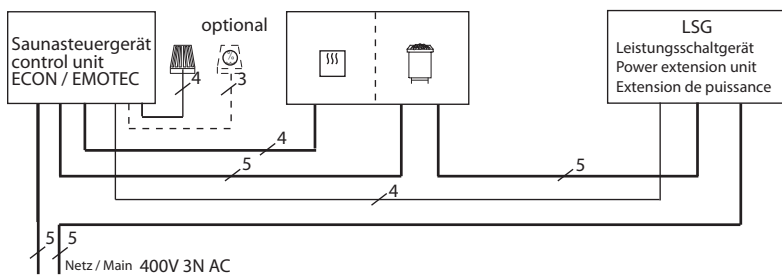


### Connection diagram

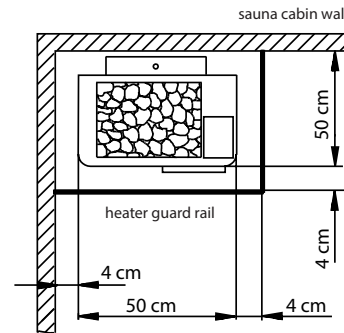
9 kW



12,0 - 15,0 kW



### Minimum clearances



### Suitable control units

Model	Item no.
Econ H1	94.5203
Econ H2	94.5205
Econ H3	94.5550
Emotec H	94.5560
Emotec HCS9003	94.4675
Emotec HCS9003 DLF	94.4640

Power extension unit (e.g. Emotec L09R) is required for 12 and 15 kW heaters.

### Technical specifications

Power output	Electrical connection	Connection mains - control unit	Connection control unit - heater	Connection mains - LSG	Connection LSG - heater	Connection control unit - LSG unit
9,0 kW	3N AC 50 Hz 400 V	5 x 2,5 mm <sup>2</sup>	5 x 1,5 mm <sup>2</sup>	--	--	--
12,0 kW			& 4 x 1,5 mm <sup>2</sup> (vaporizer)	5 x 2,5 mm <sup>2</sup>	5 x 1,5 mm <sup>2</sup>	4 x 1,5 mm <sup>2</sup>
15,0 kW				5 x 2,5 mm <sup>2</sup>	5 x 1,5 mm <sup>2</sup>	4 x 1,5 mm <sup>2</sup>

All cross sections of a line are minimum diameters in mm<sup>2</sup> (copper wire).

### Heating elements and accessories

Description	Item no.
For 9,0 kW (9 x 1000W)	2001.1599
For 12,0 kW (9 x 1333 W)	2001.1598
For 15,0 kW (11 x 1333 W)	2001.1598
For vaporizer (1 x 2000 W)	2001.2396
Mounting brackets for wood rail	94.4595
Herbs tray with mounting	94.4884
Herbs bowl with mounting	94.4885
Herbs bowl with „wave“ holder	94.4221

Item no.	Power output	Electrical connection	Fuse protection control unit	Fuse protection LSG unit	Dimensions H/W/D, in cm	For sauna cabin size	Min. size of air inlet and outlet	Weight withouth rocks	Stone filling	Power extension required
94.2317	9,0 kW	3N AC 50 Hz 400 V	3 x 16 A	--	92,5 / 50 / 50	9 - 14 m <sup>3</sup>	35 x 6 cm	49 kg	60 kg	no
94.2318	12,0 kW			3 x 16 A		14 - 18 m <sup>3</sup>	35 x 7 cm			yes
94.3922	15,0 kW			3 x 16 A		18 - 25 m <sup>3</sup>	35 x 9 cm			yes