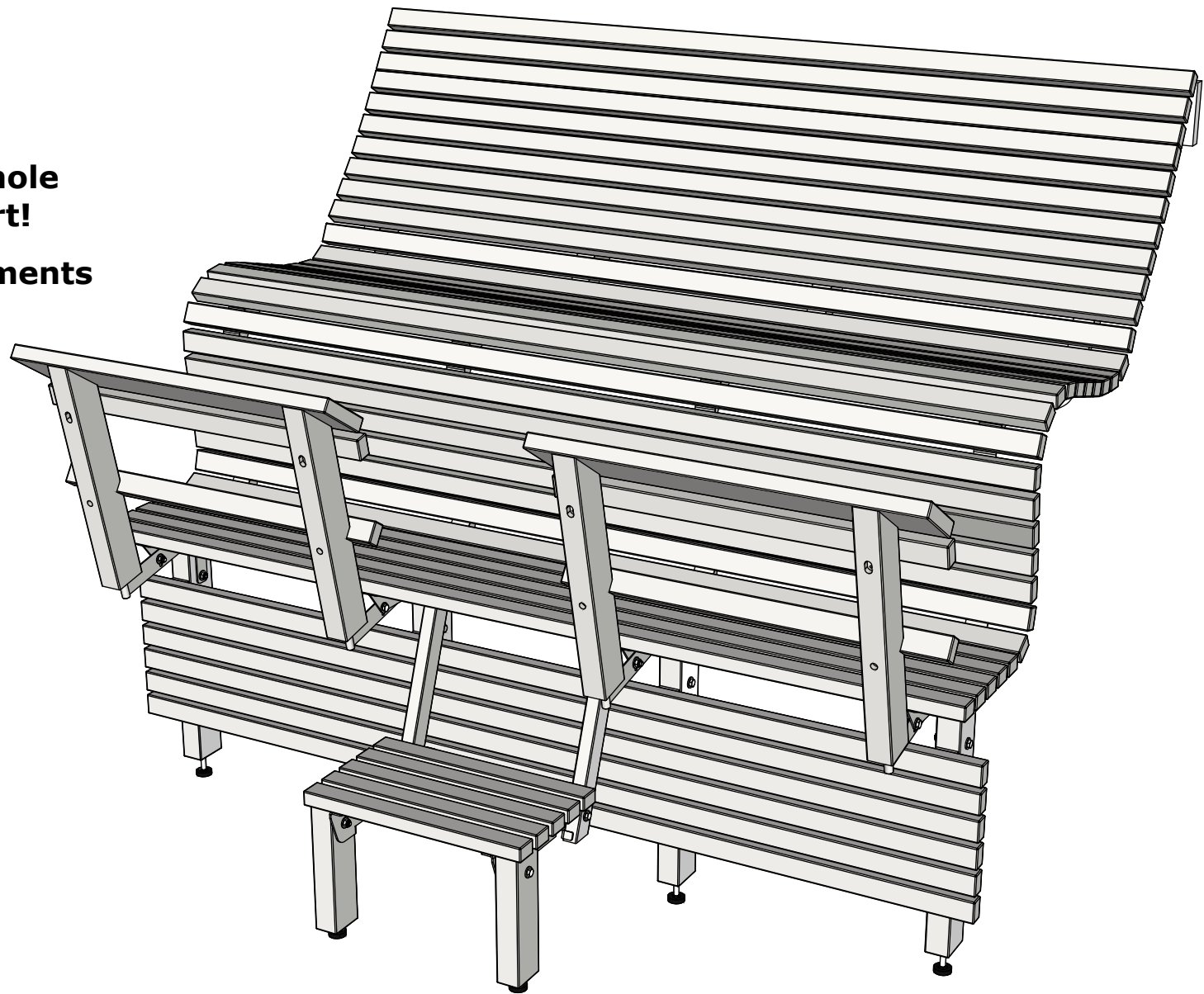


Lux Sauna benches.

(Length 2100, 2400)

**Please read the whole
manual before start!**

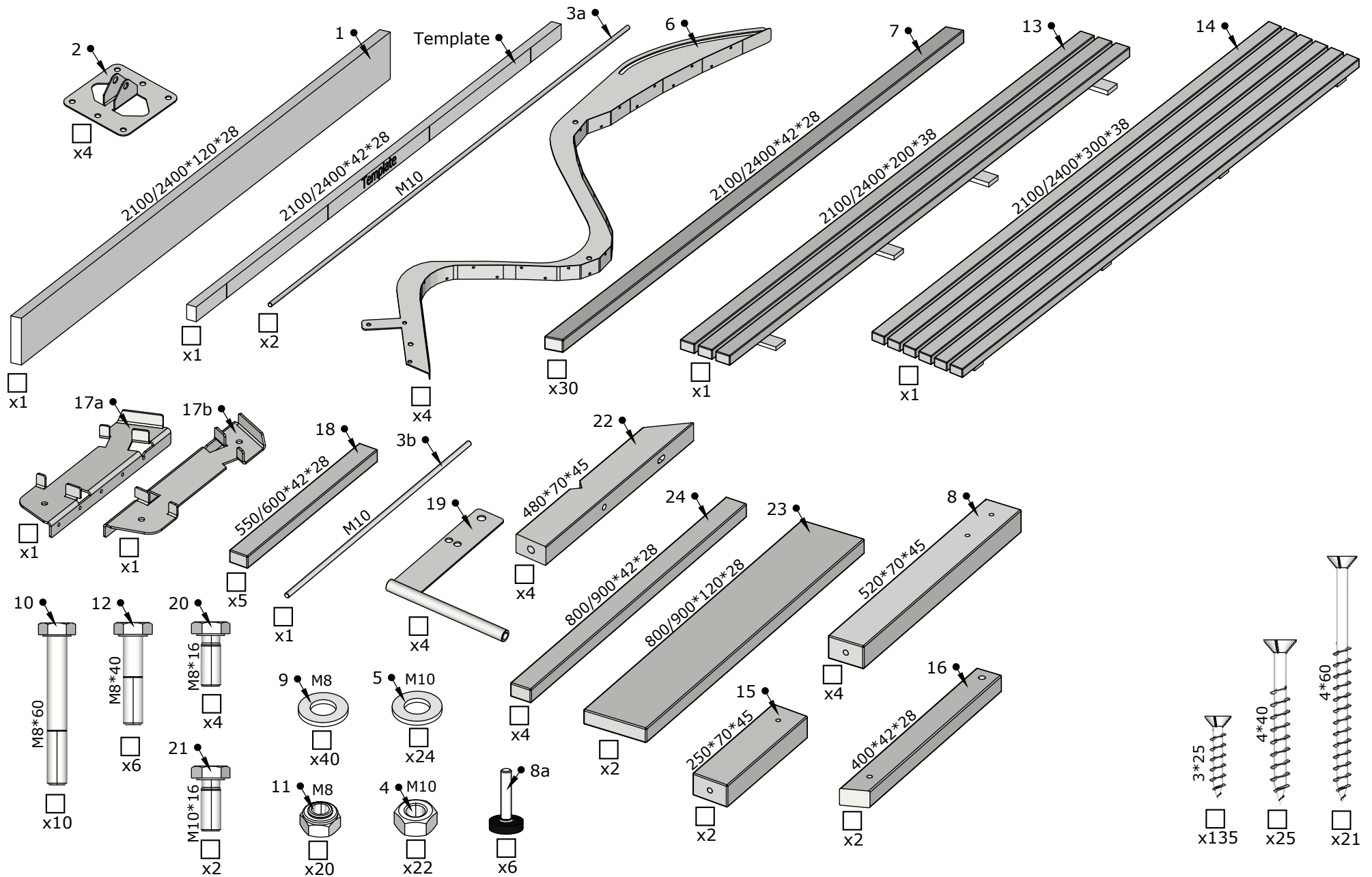
**All given measurements
are in millimeters!**



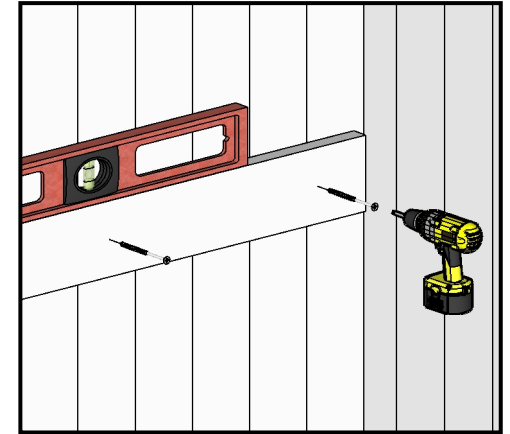
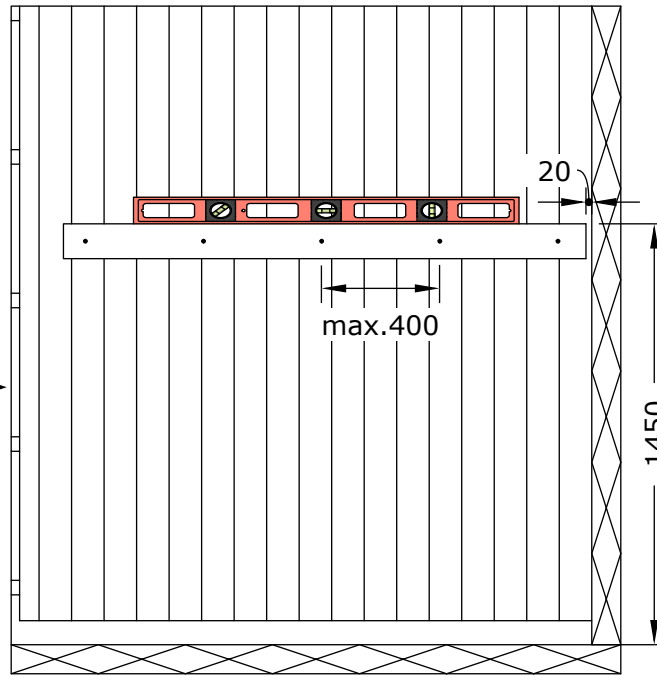
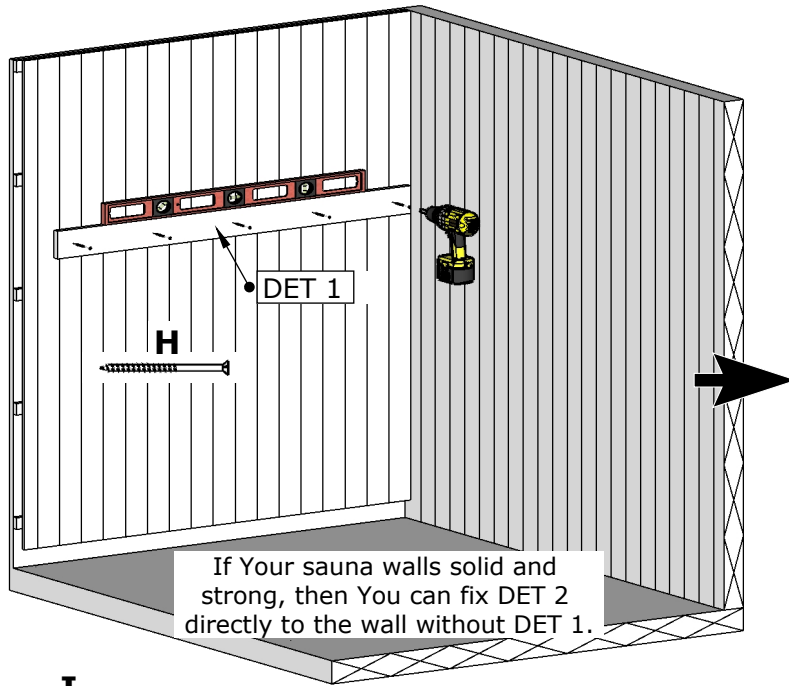
Lux Sauna benches.

(Lenght 2100, 2400)

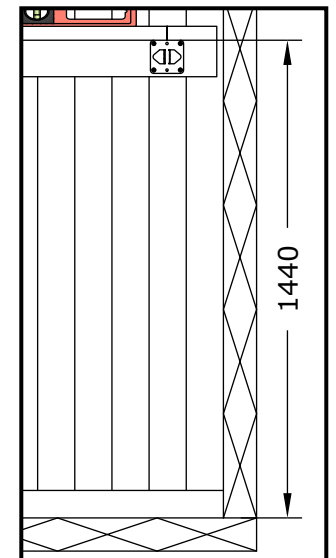
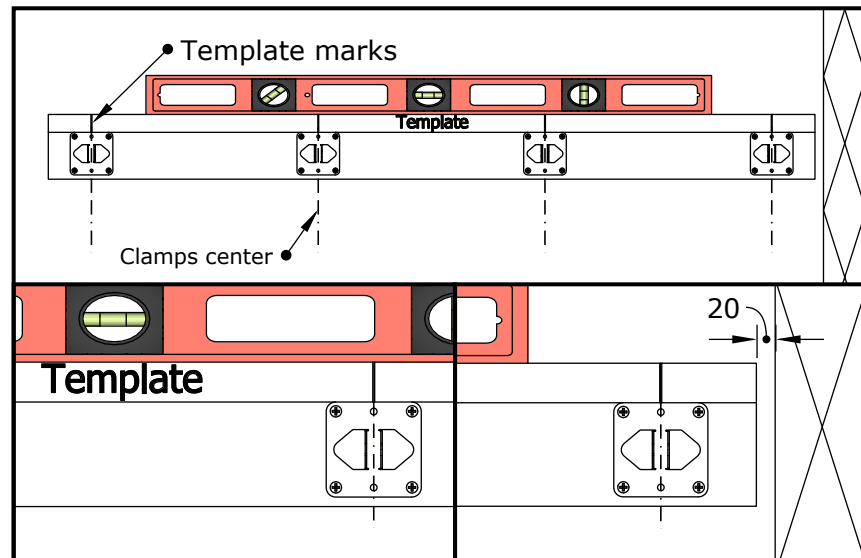
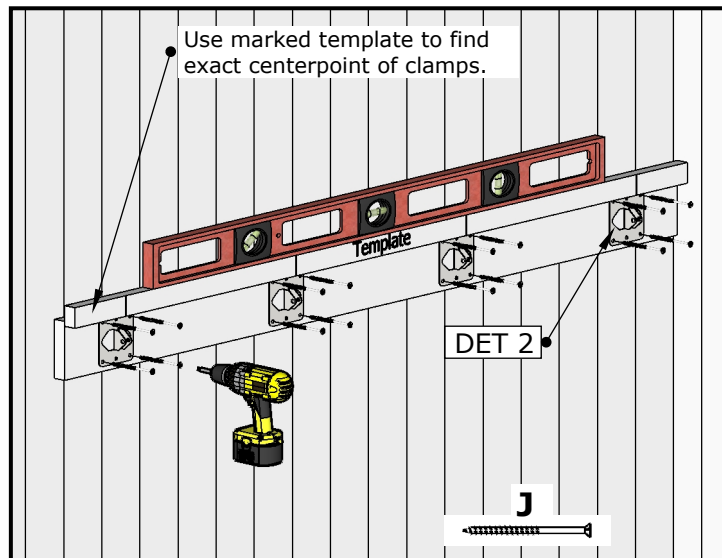
Details list



Lux Sauna benches.



I

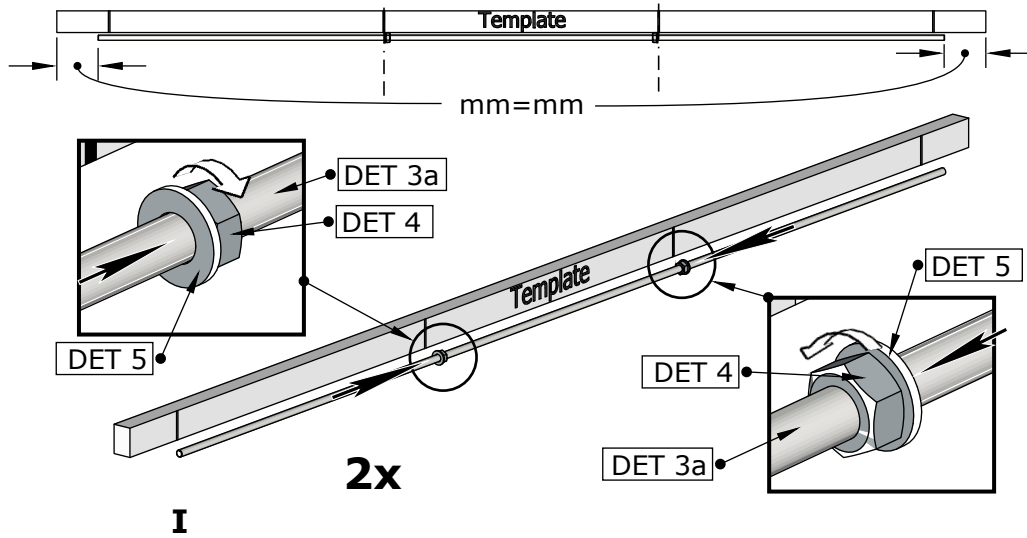


1.

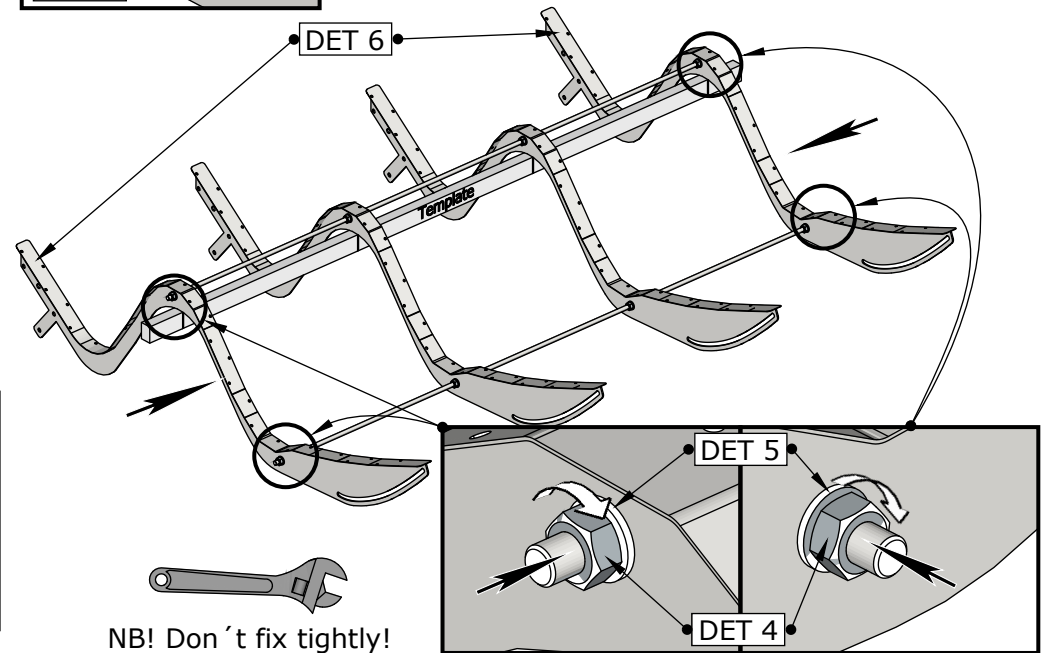
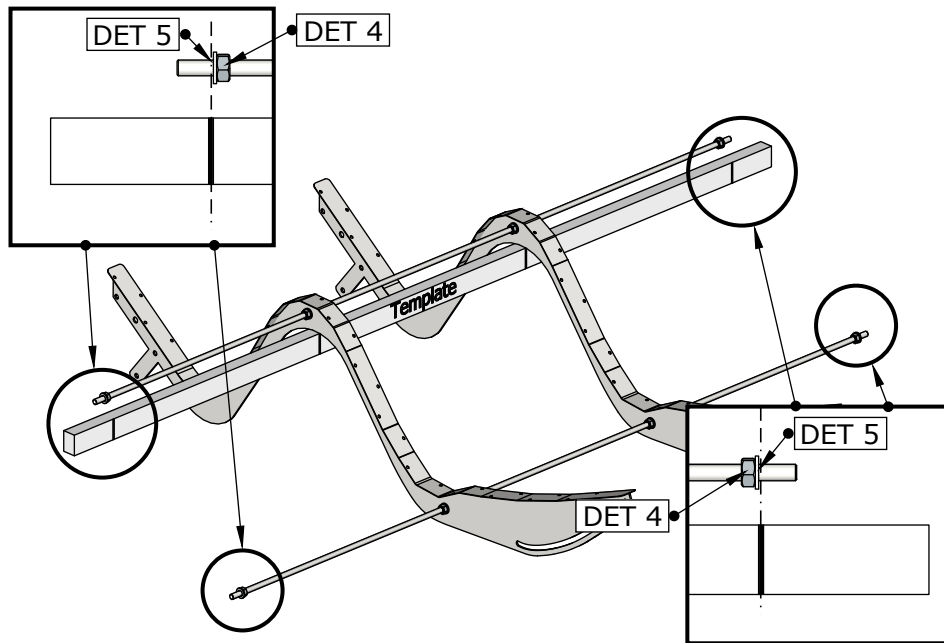
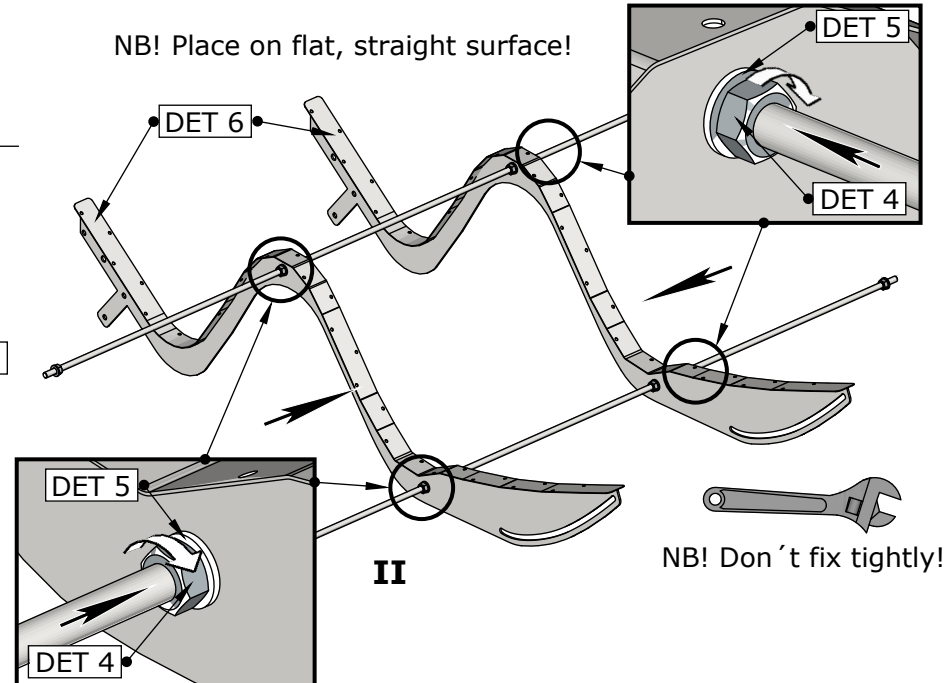
II

Lux Sauna benches.

Use template to find washer and nut position!



NB! Place on flat, straight surface!



2. III

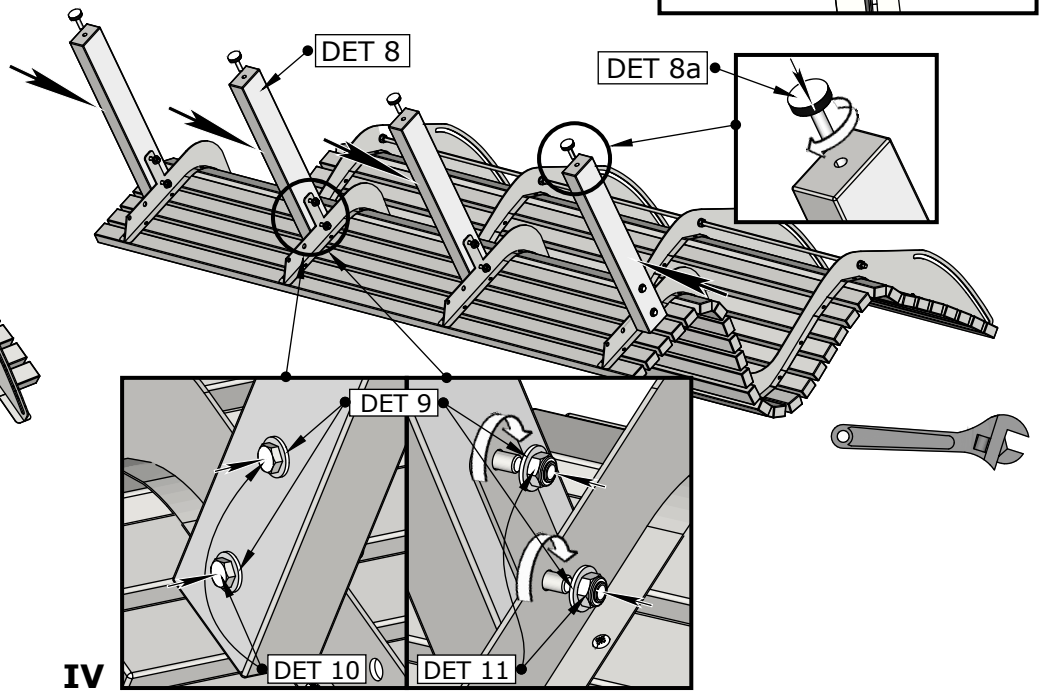
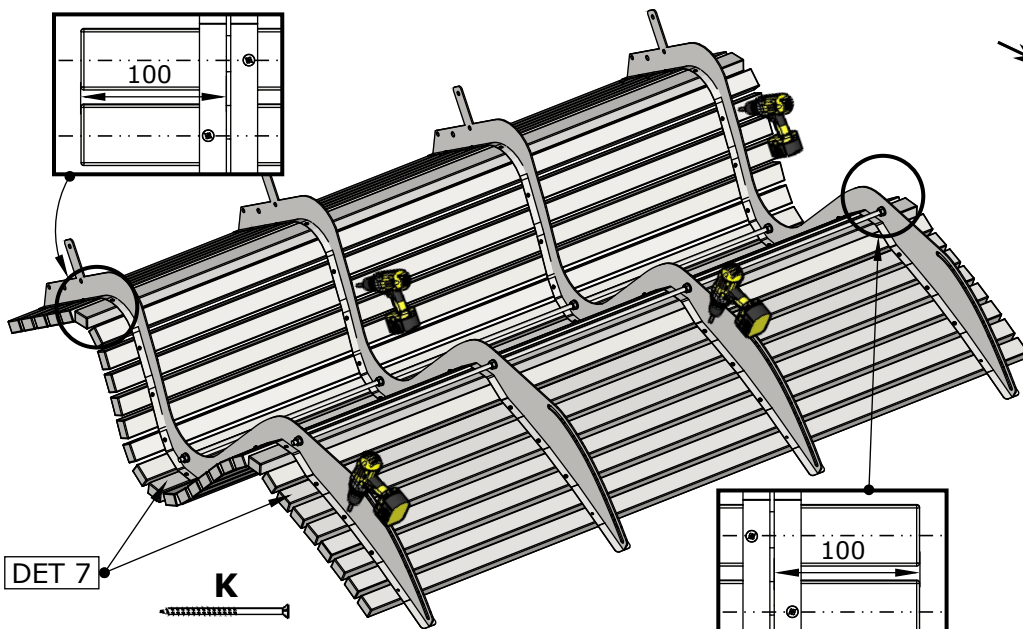
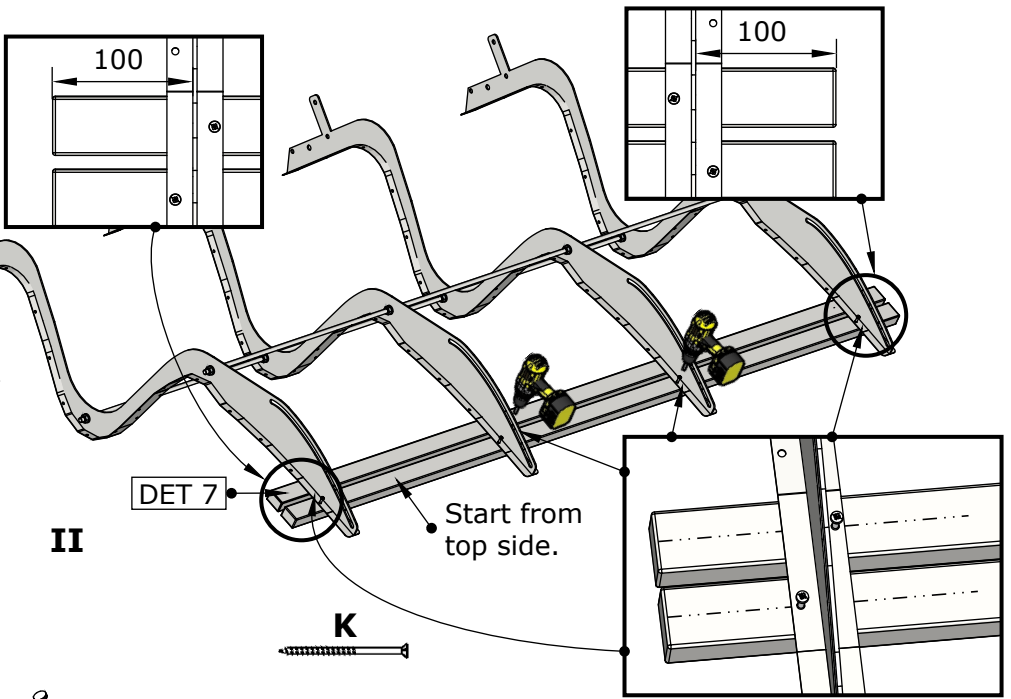
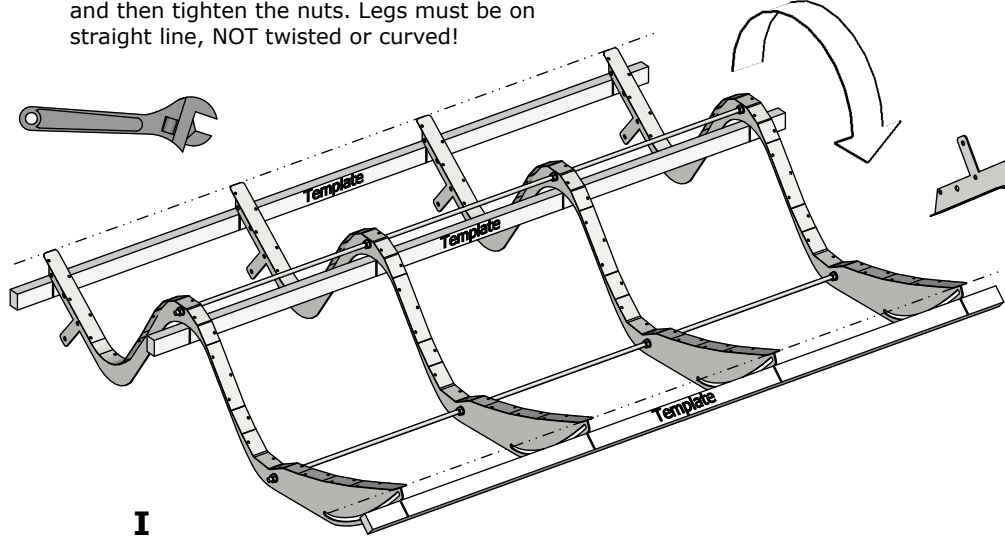
NB! Don't fix tightly!

IV

Lux Sauna benches.

NB! Double-check legs position with template and then tighten the nuts. Legs must be on straight line, NOT twisted or curved!

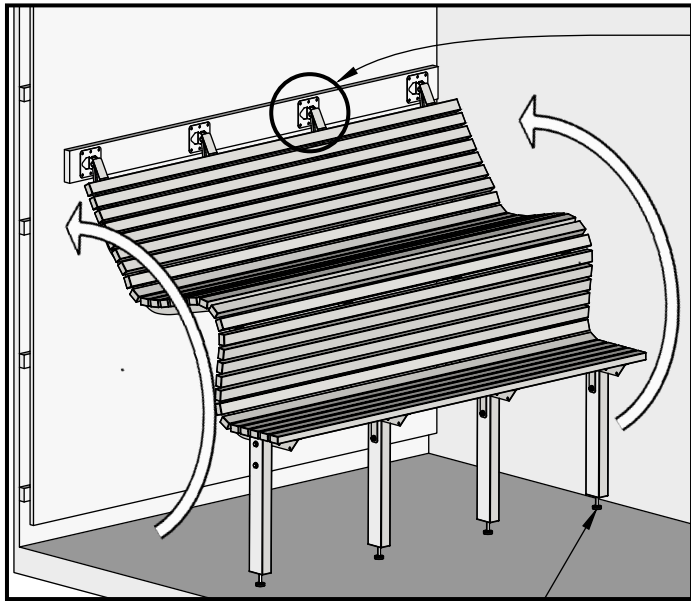
Turn around!



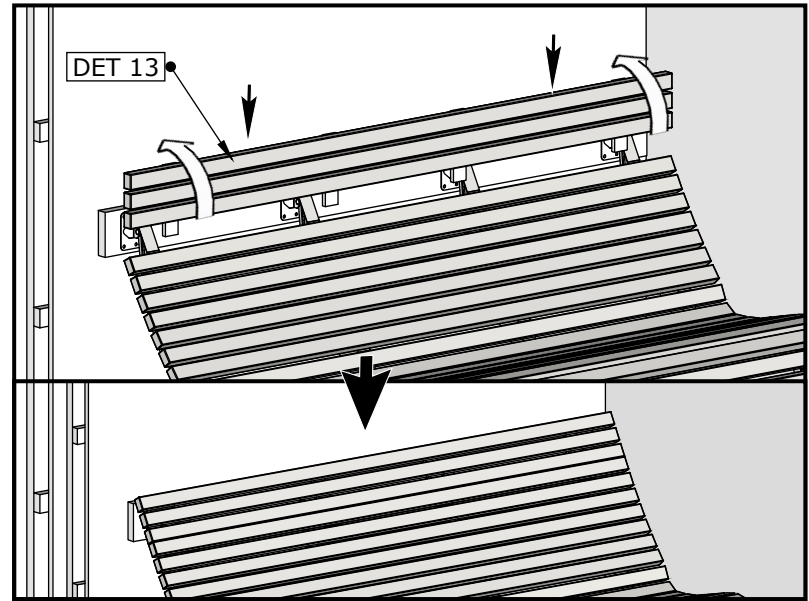
3. III

IV

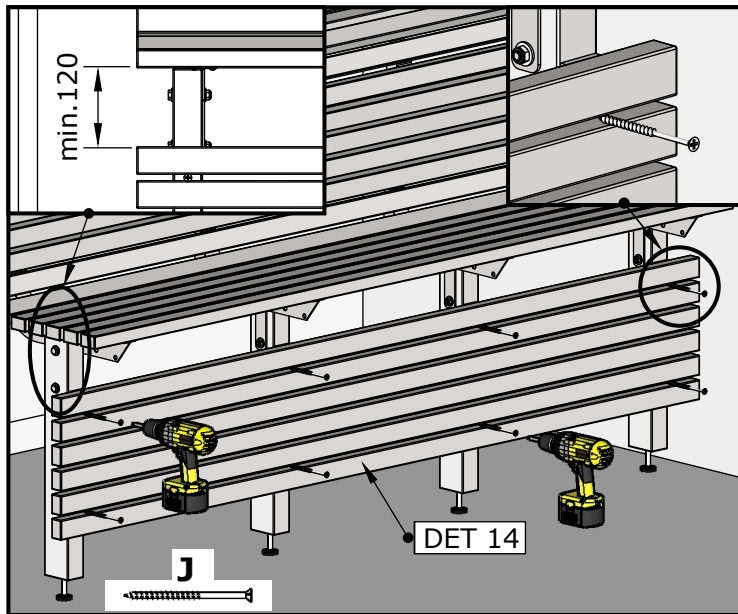
Lux Sauna benches.



I Adjust legs height, if necessary

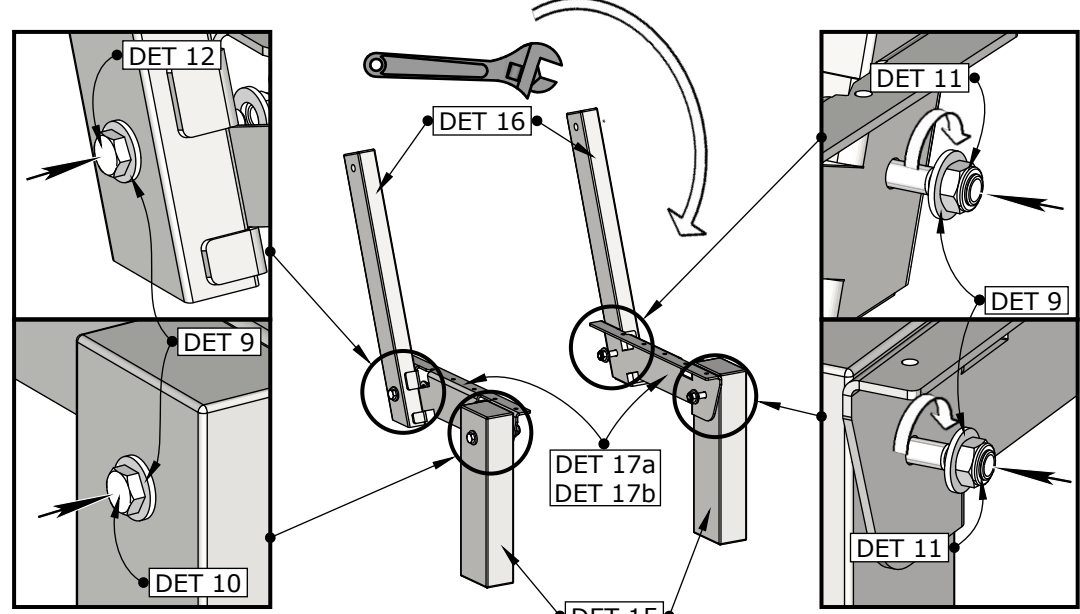


II



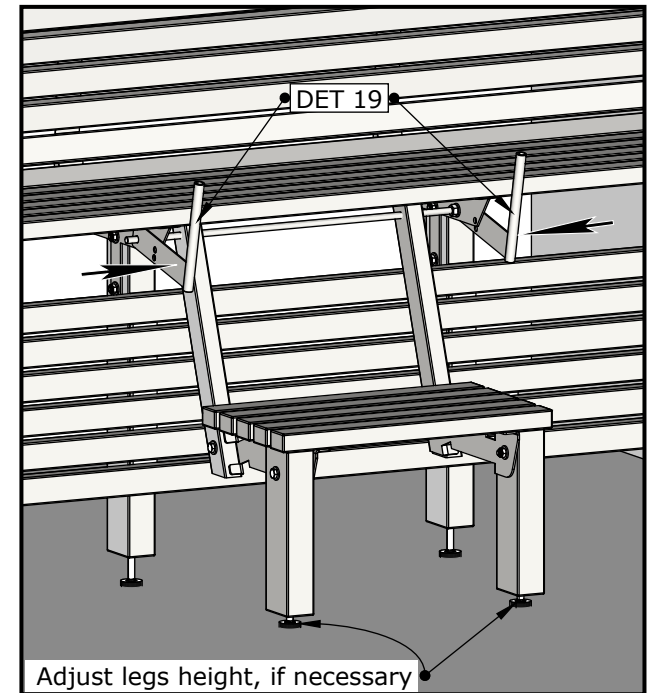
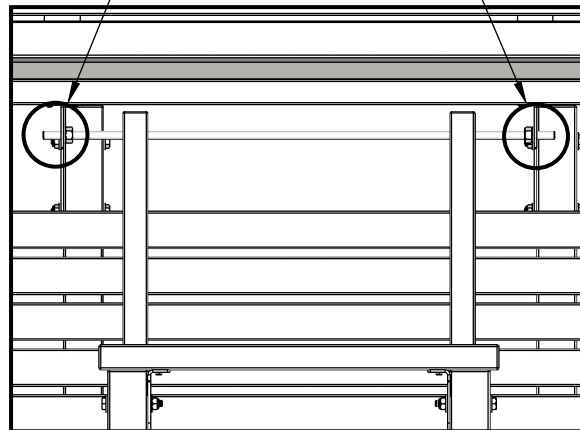
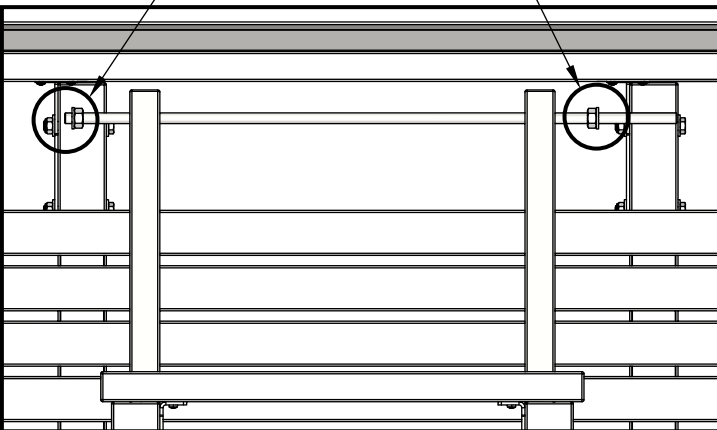
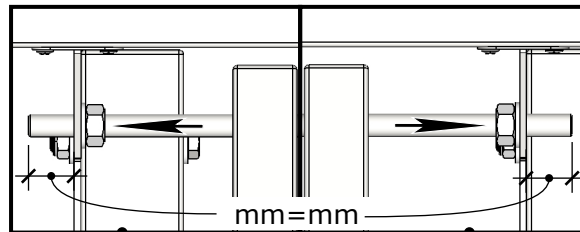
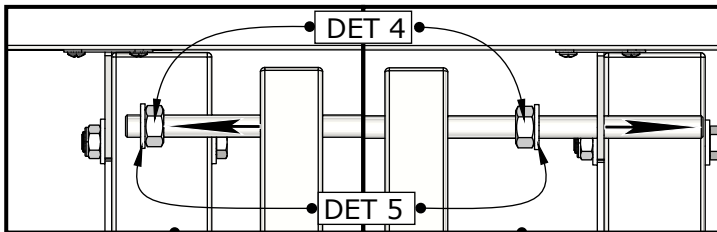
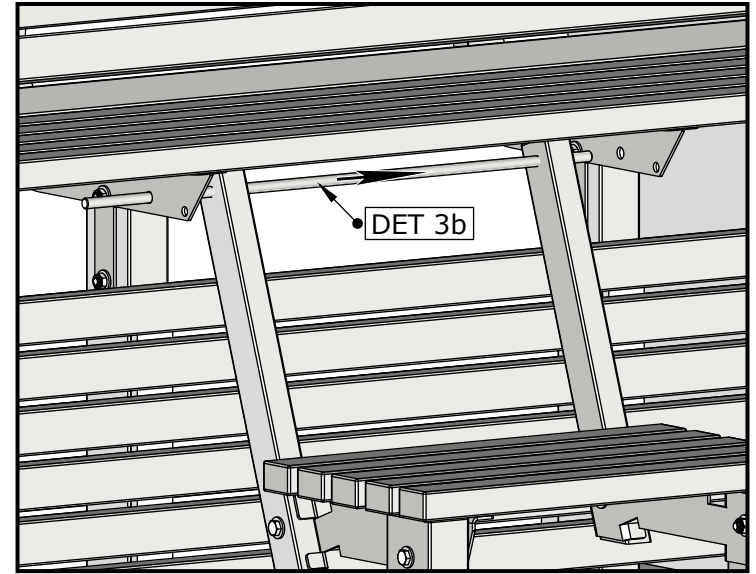
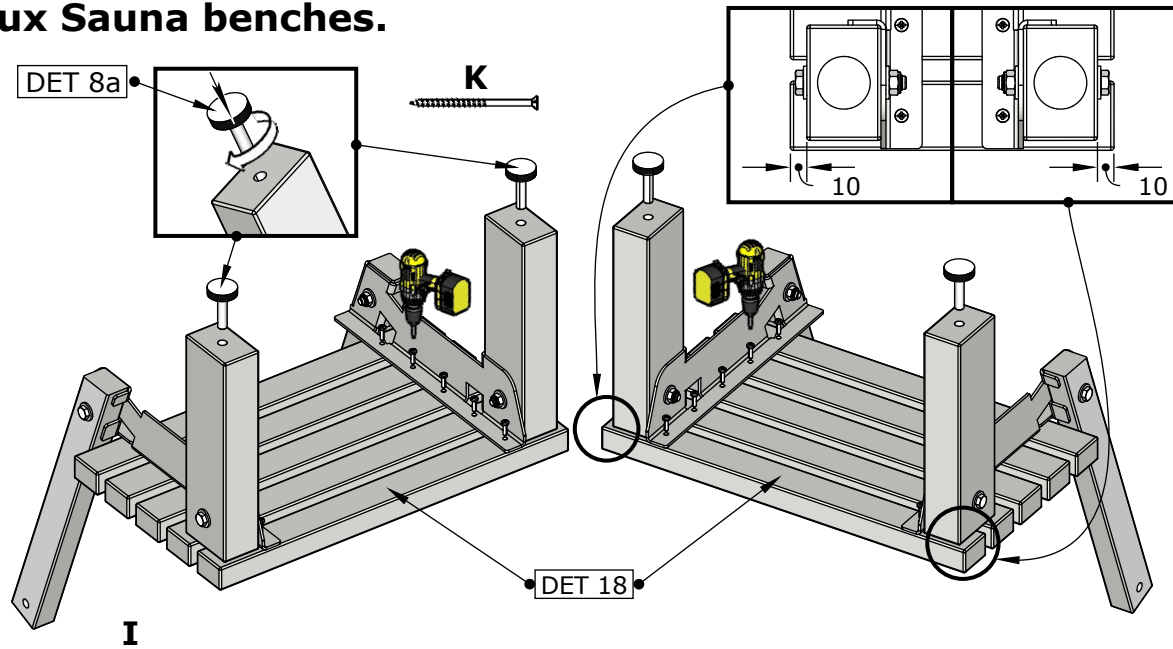
III

4.



IV

Lux Sauna benches.

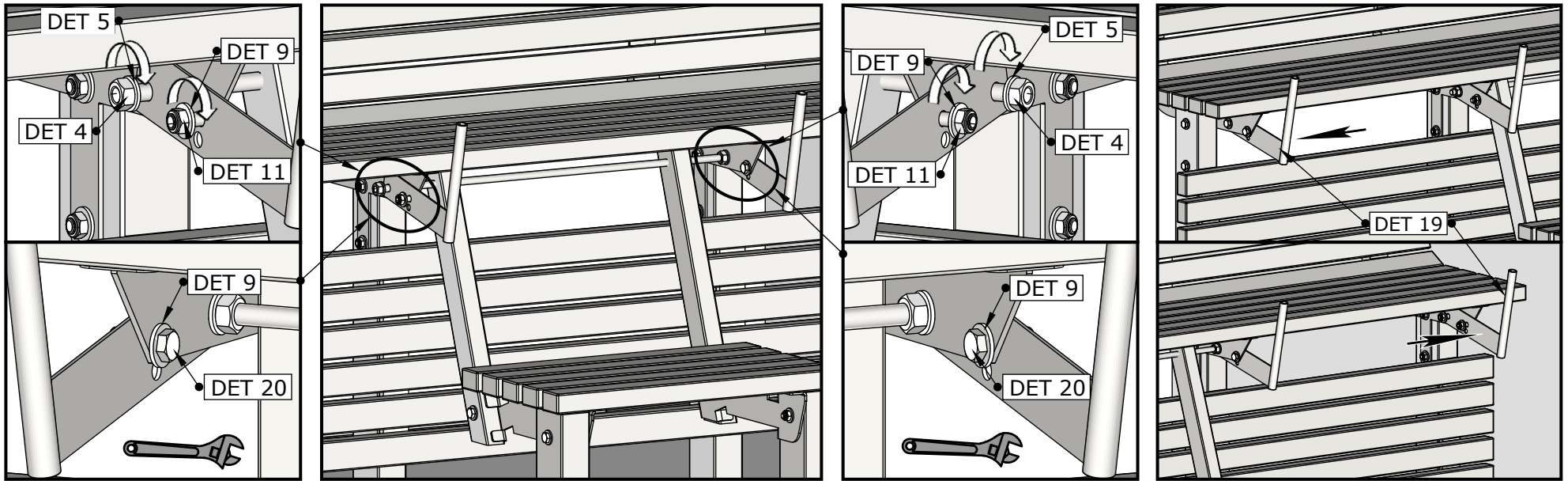


5. III

IV

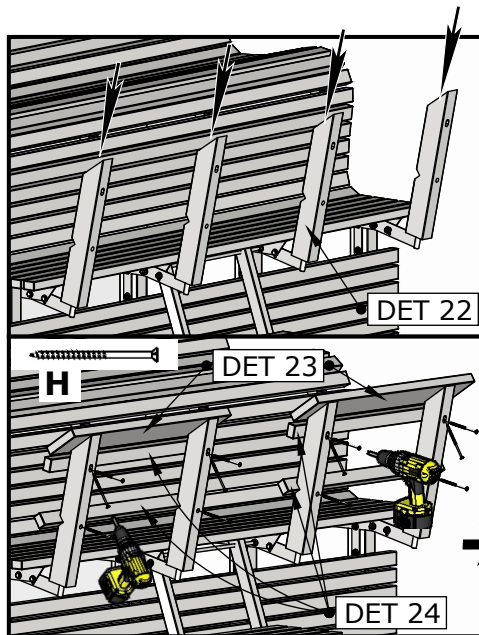
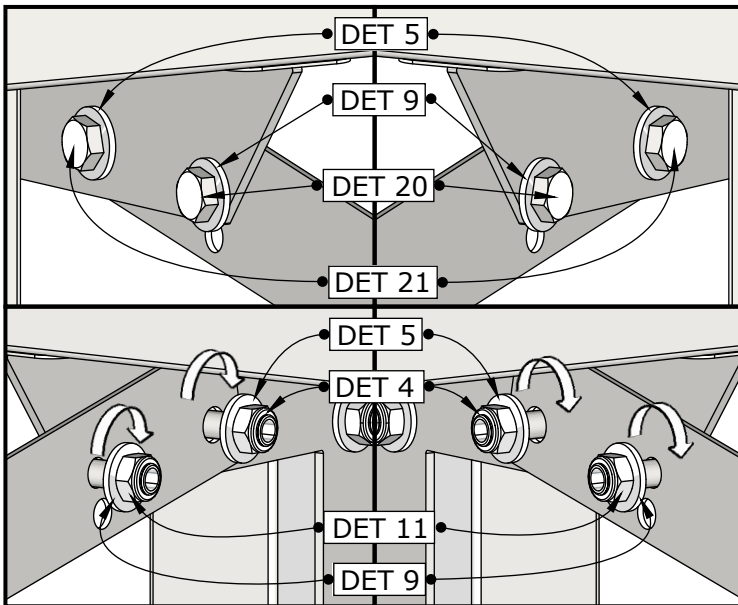
V

Lux Sauna benches.

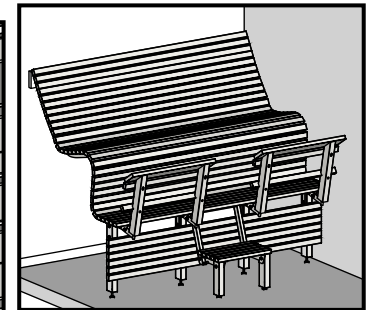
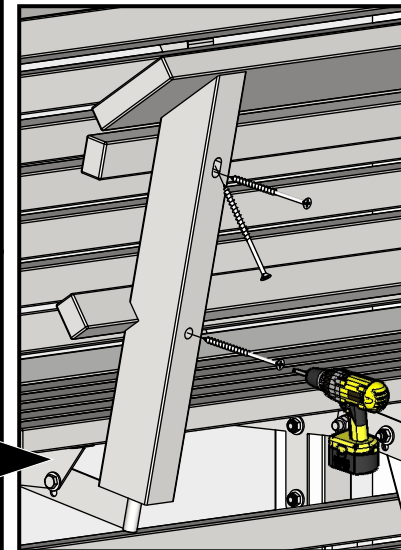


I

II



NB! Screw holes are pre-drilled!



Enjoy!

6. III