

PATIO XS THERMO SAUNA



INSTALLATION MANUAL

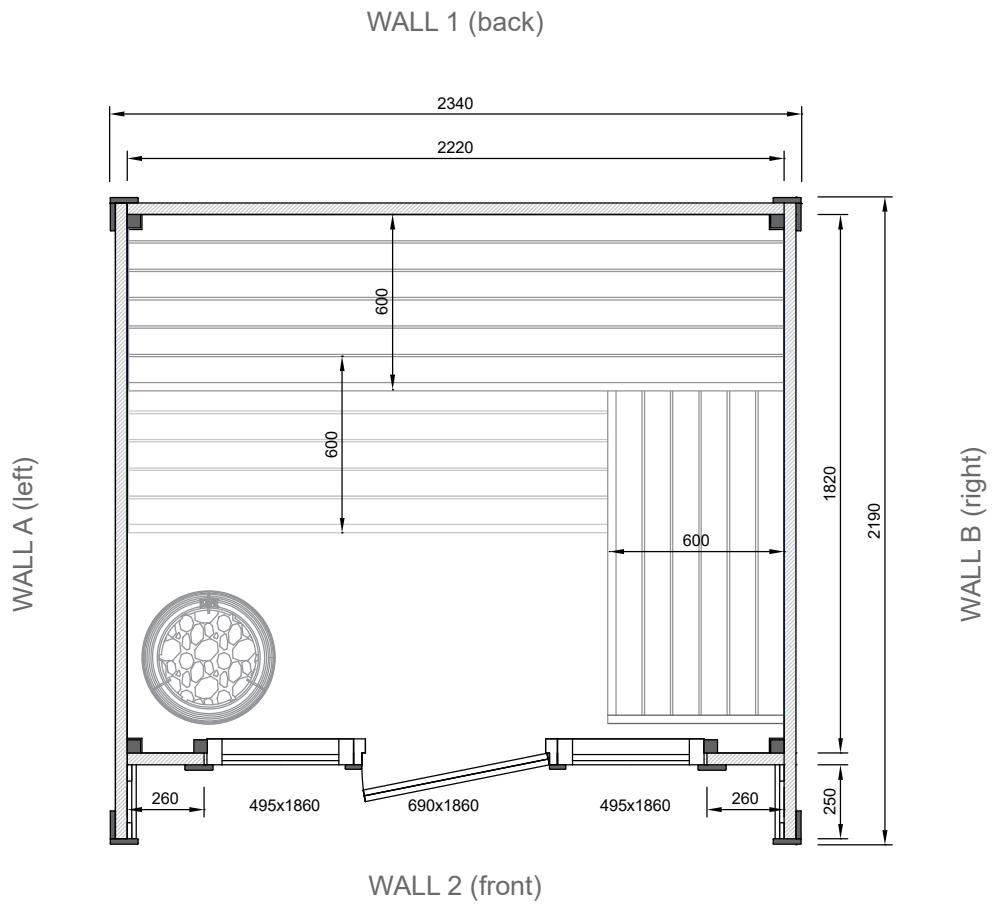
Instructions

1. It is recommended to install the sauna above ground level to prevent the base frame of the sauna from coming into direct contact with the ground. Install a water-resistant material, such as bitumen strips, between the base frame and the base surface.
2. Make sure that the surface on which you install the sauna is level and stable before and after installing the sauna. Otherwise, the doors of the sauna may not open and close properly later on.
3. During the first heating of the sauna, it must be constantly supervised, and the doors should be kept open, as the stove emits a specific odor when first heated. Read more from the user manual for the sauna stove.
4. The maximum permitted temperature in the steam room is +90 °C. If heated to a higher temperature, the sauna may become overheated.
5. In order to avoid damage caused by the weight of snow in winter, any snow should be removed from the roof of the sauna. Keep in mind that the roof covering should not be damaged during snow removal.
6. If your sauna has lighting, install a 3G 2,5 mm outdoor power cable and connect it in accordance with the schematics on the plug socket coupler provided with the sauna. The power cable of the sauna must be connected to a residual-current circuit breaker! Consult an electrician if necessary.

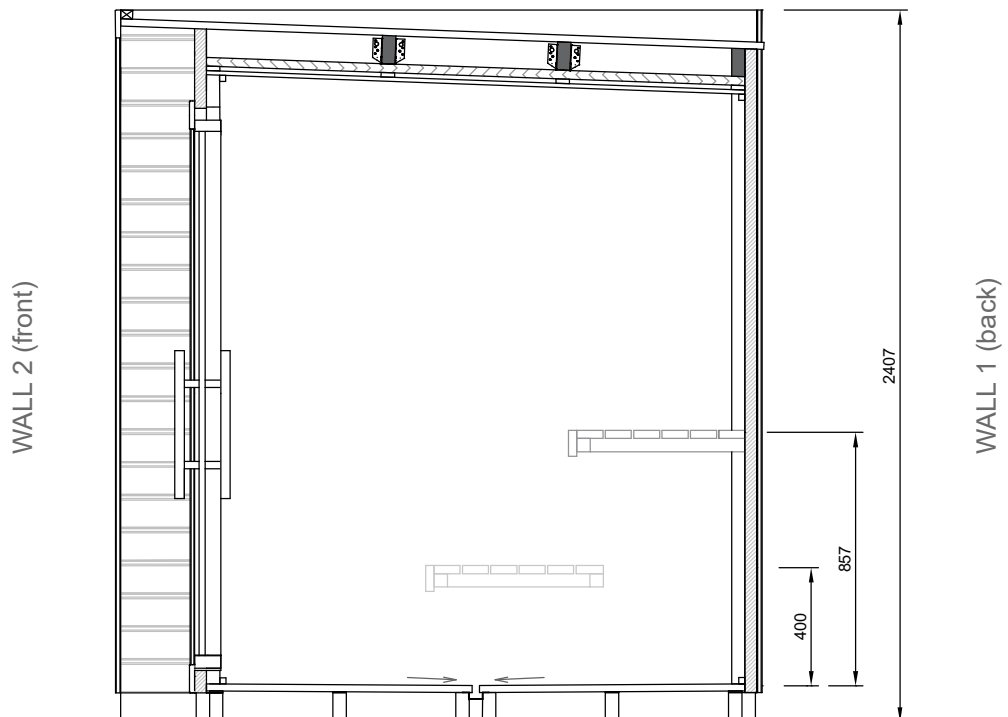
Required tools

	Tape measure		Cutting knife		Respirator
	Pencil		Battery drill		Scissors
	Level		Nail gun		Tin shears
	Rubber mallet		Circular saw		Pliers
	Hammer		Gloves		Hole saw Ø 100 mm
	Hand saw		Safety goggles		Jigsaw
	Silicone gun				

Floor plan

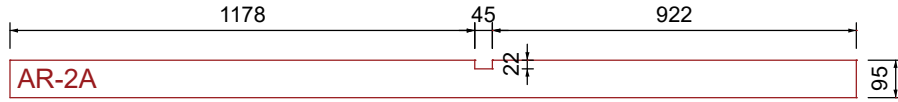


Cross section



STEP 1 - Base frame

Marking	Detail	Image	Note	Length	Pcs.
AR-1	45x95 Base Frame			2200	8
AR-2	45x95 Base Frame			2145	1
AR-2A	45x95 Base Frame		<i>Cutout!</i>	2145	1



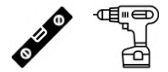
VR-1	Drainage detail			2265	1
------	-----------------	--	--	------	---

Marking	Detail	Image	Note	Length	Pcs.
	Screw 5x90		for base frame		40

1.1 Connect the base frame details according to Scheme 1.1.

Make sure that the frame is level and that the diagonals are equal ($X = Y$). Leave a 45 mm gap between two AR-1 base frame details so that the water drainage detail VR-1 can be fitted between them.

Use a level, a battery drill, and 5x90 screws to join the base frame together.



1.2 Place the VR-1 drainage detail on top of the base frame.

No fixings are needed.

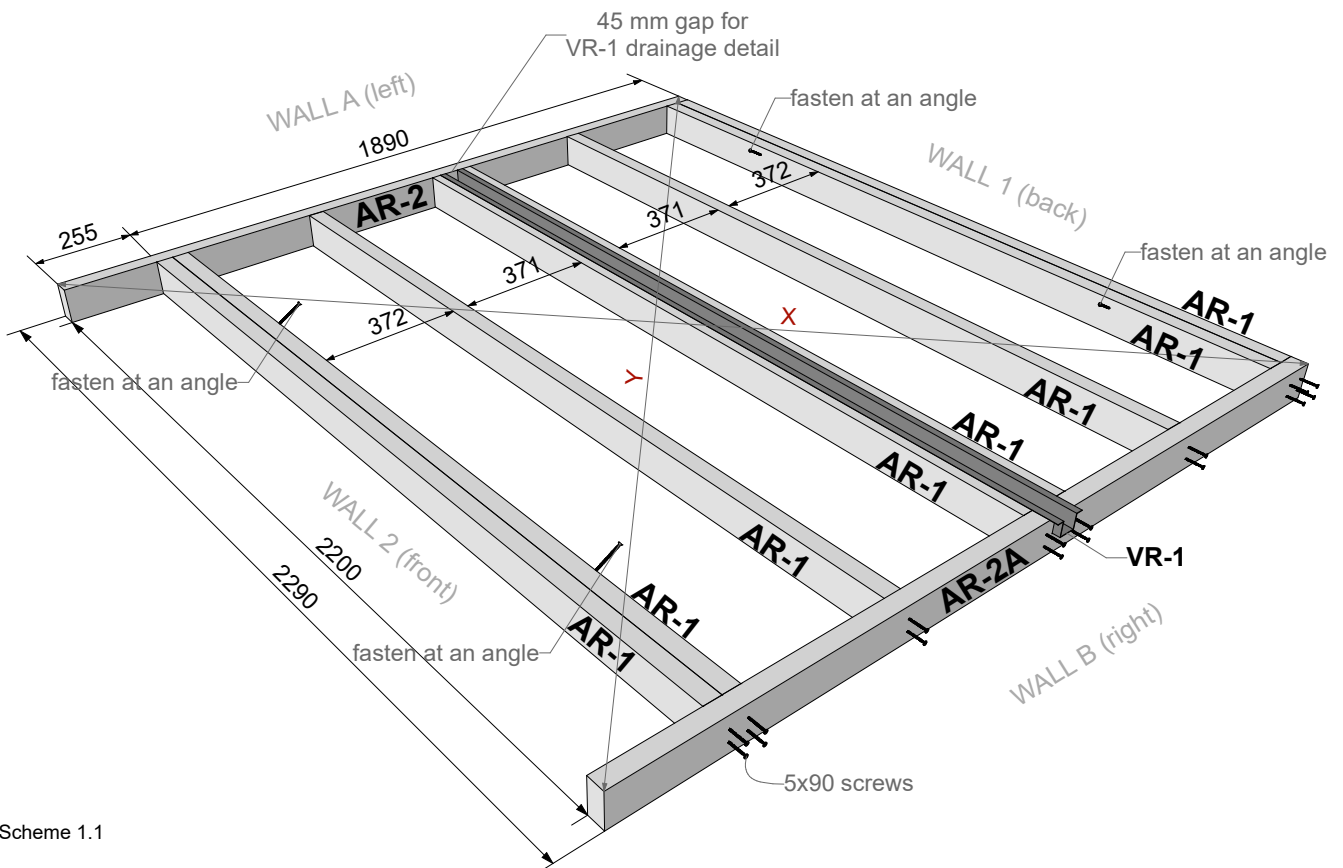
Caution! The detail has sharp edges; use gloves.



Check diagonals: $X=Y$


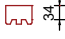
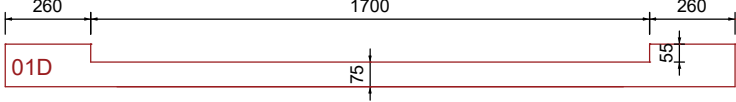
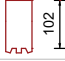

$X= 3138$ mm

$Y= 3138$ mm



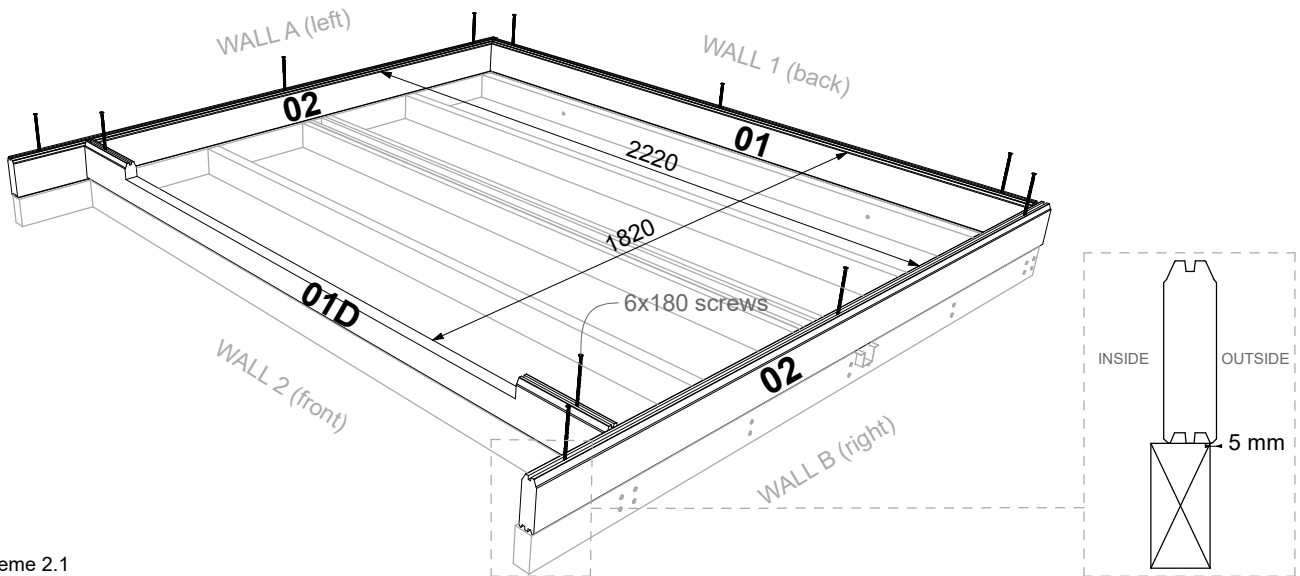
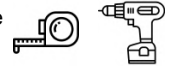
Scheme 1.1

STEP 2 - Walls

Marking	Detail	Image	Note	Length	Pcs.
01	40x138 Wall Log Thermo			2220	18
EXTRA	40x138 Wall Log Thermo			2220	1
01B	40x96 Wall Log Thermo		<i>Height: 96 mm</i>	2220	1
01C	40x34 Wall Log Thermo		<i>Height: 34 mm</i>	2220	1
01D	40x138 Wall Log Thermo		<i>Cutout!</i>	2220	1
					
02	40x138 Wall Log Thermo			2150	34
02B	40x102 Wall Log Thermo		<i>Height: 102 mm</i>	2150	2
03	40x138 Wall Log Thermo			260	28
EXTRA	40x138 Wall Log Thermo			260	4
	Hitting Block				2
P-1	45x45 Corner Post			2190	2
P-2	45x45 Corner Post			2120	2
AT-1	45x45 Temporary Support		for corner post installation	~1800	8
Marking	Detail	Image	Note	Length	Pcs.
	Screw 6x180		for every wall log		200
	Screw 4.5x70		for P-1 and P-2 corner posts		270
	Screw 4.5x70		for AT-1 temporary supports		16

STEP 2 - Walls

- 2.1 Place the first row of wall logs on the base frame according to Scheme 2.1. Make sure that the wall logs protrude 5 mm outward from the base frame on all sides. Use 6x180 screws to fix the wall logs to the base frame.
Suggestion: Pre-drill the holes for the screws to prevent wall logs from splitting.



Scheme 2.1

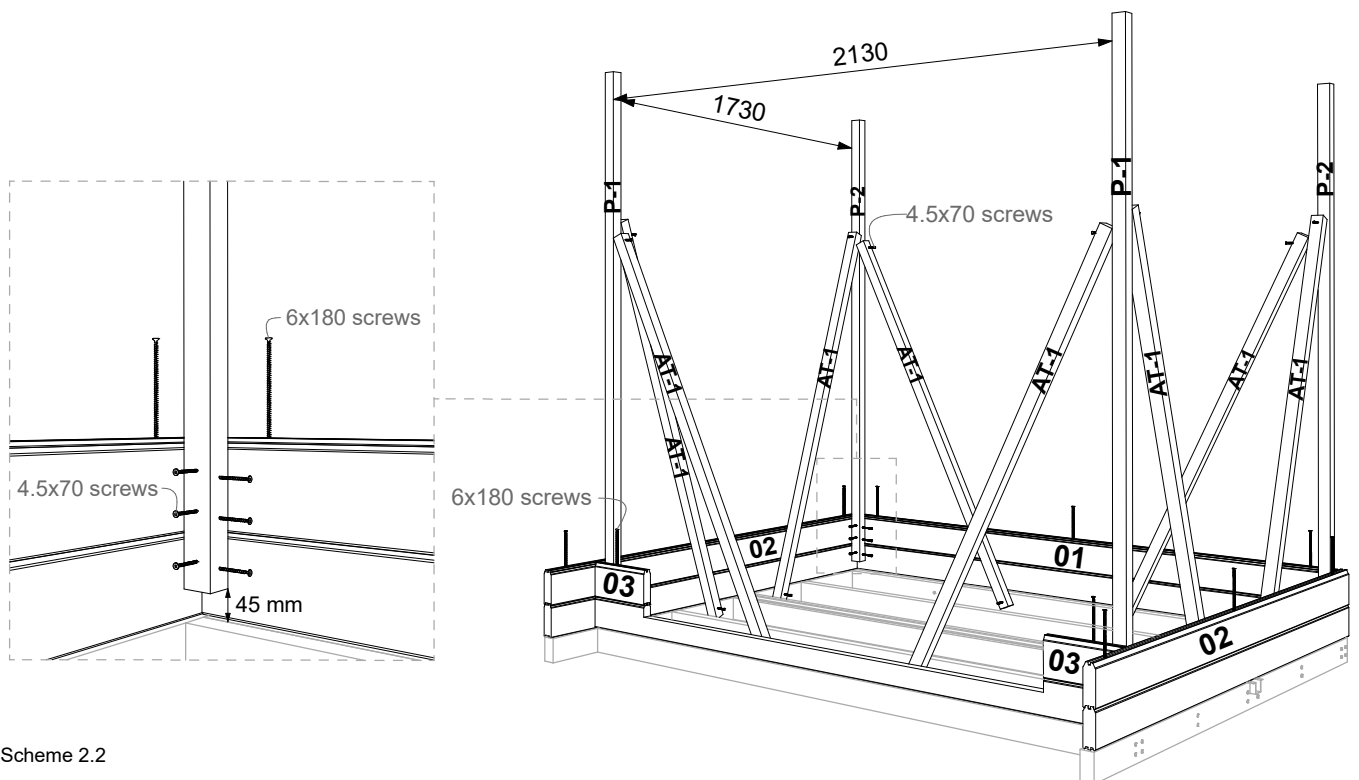
- 2.2 Place the second row of wall logs on top of the first row. Use a hitting block and a rubber mallet to set the logs in place. Attach the second row to the first using 6x180 screws and a battery drill.
Suggestion: Pre-drill the holes for the screws to prevent wall logs from splitting.



- 2.3 Install corner posts in the inner corners. Leave a 45 mm gap at the bottom, between the corner posts and the base frame. Use 4.5x70 screws and a drill to fix the corner posts to every wall log (Scheme 2.2).
Suggestion: Pre-drill holes for the screws to prevent the posts from splitting.



- 2.4 Vertically level the corner posts and temporarily attach AT-1 details to them for support and to keep the posts in a level position. Use a level, 4.5x70 screws, and a battery drill.



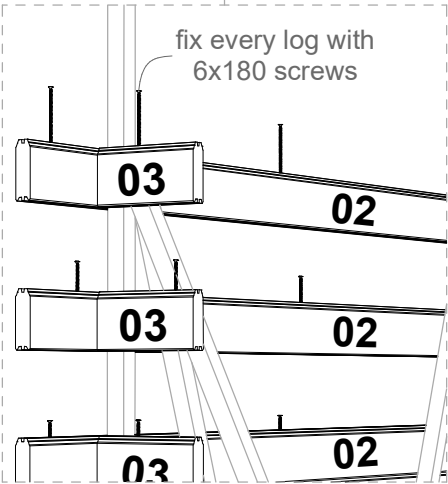
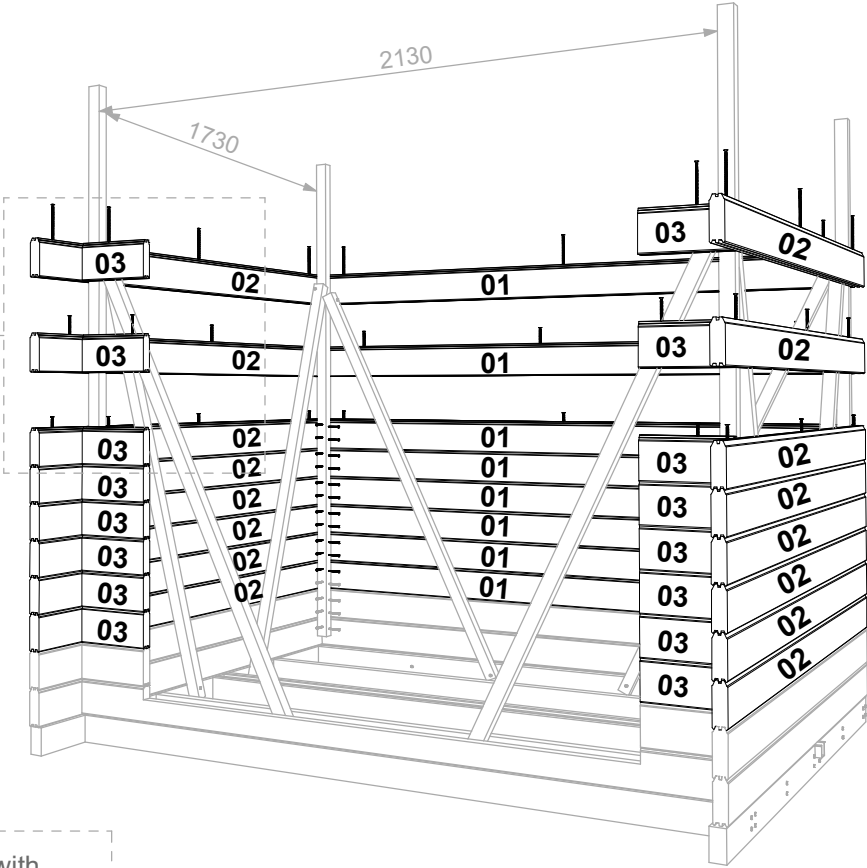
Scheme 2.2

STEP 2 - Walls

2.5 Continue to install the wall logs on top of each other according to the "Wall Layout" scheme on page 7. Use 6x180 screws to connect all wall logs to each other and 4.5x70 screws to fix all logs to corner posts, like shown in Scheme 2.3.



2.6 Remove the AT-1 temporary support details after all wall logs have been installed.



Scheme 2.3

For installation of walls, please see the placement of the wall logs on the "Wall Layout" scheme on page 7.

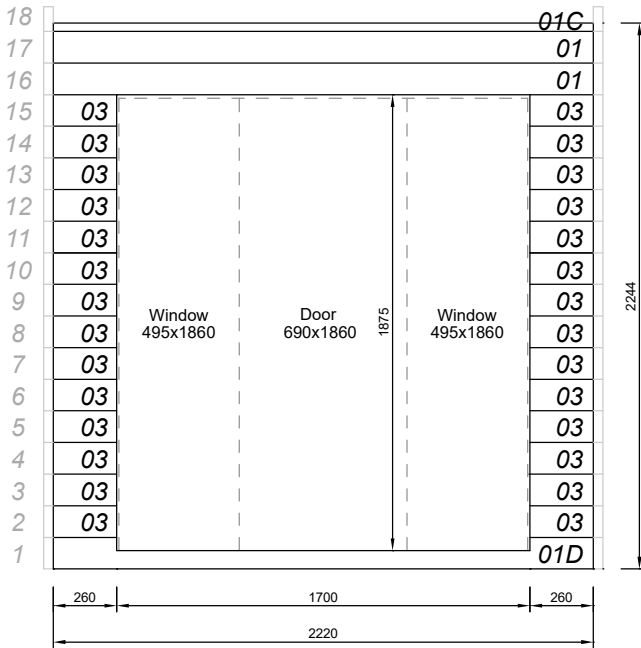
WALL LAYOUT

* Connect all wall logs together using 6x180 screws.

* Connect all wall logs to corner posts using 4.5x70 screws

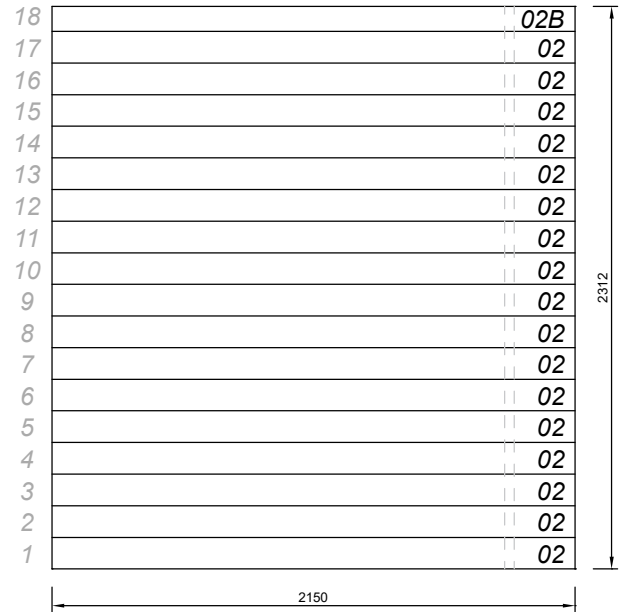
Wall 2 (front)

View from the outside



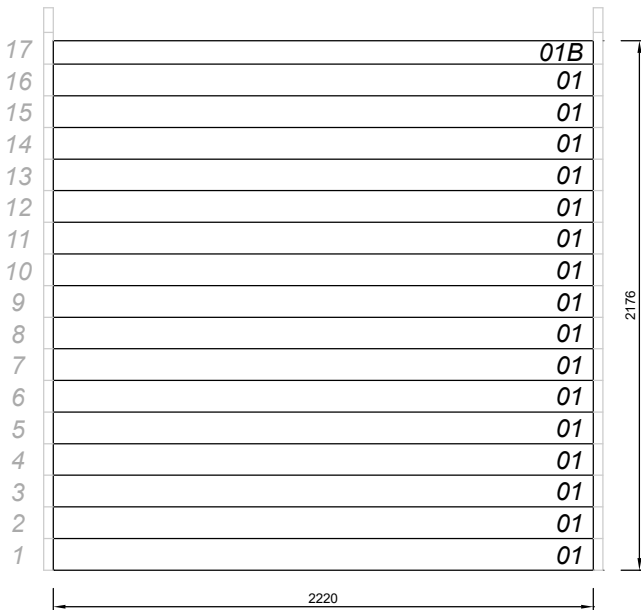
Wall A (left)

View from the outside



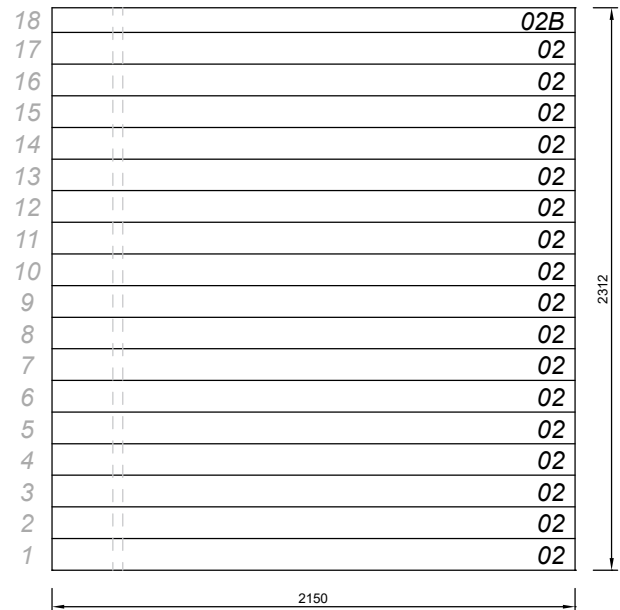
Wall 1 (back)

View from the outside





Wall B (right)

View from the outside

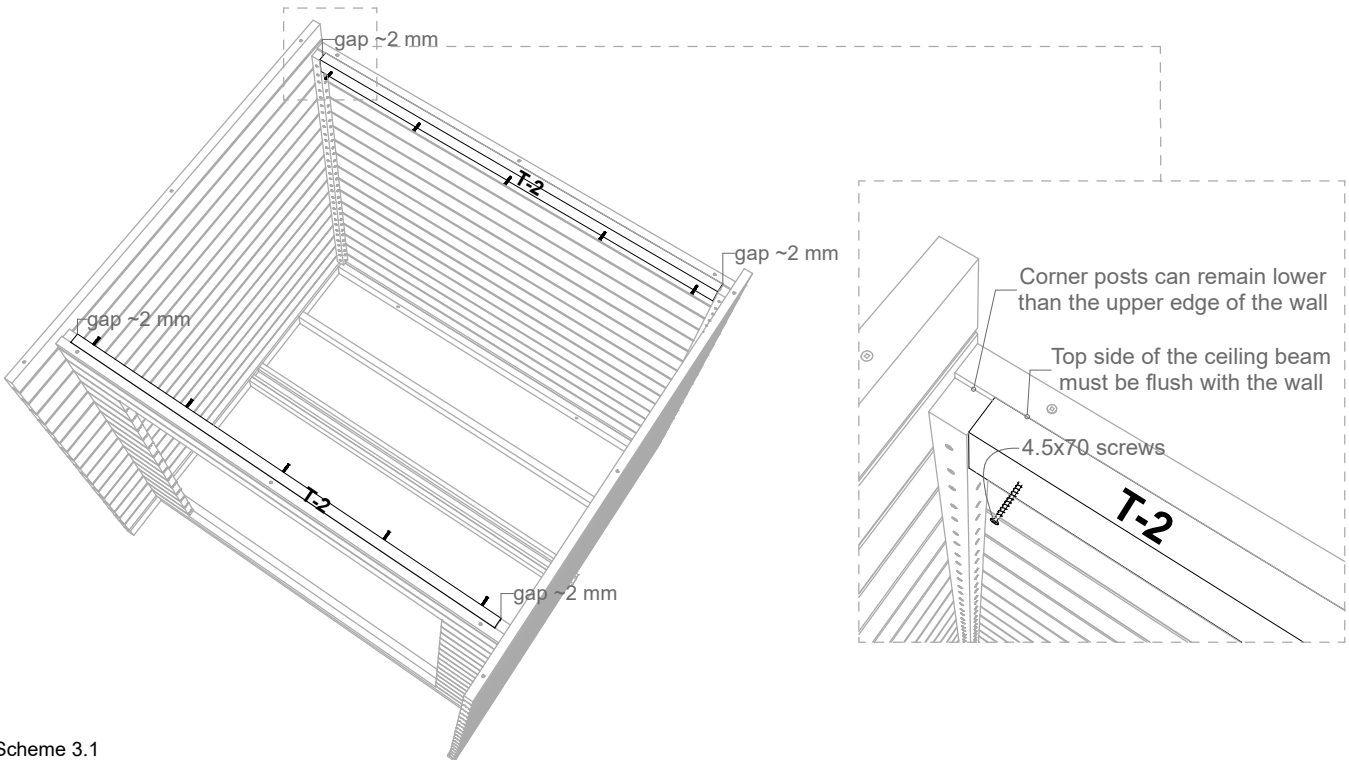


STEP 3 - Roof boards and ceiling

Marking	Detail	Image	Note	Length	Pcs.
KL-1	24x120 Roof Board			2170	21+1
01F	40x30 Roof Block			2220	1
T-1	45x95 Ceiling Beam			2218	2
T-2	45x95 Ceiling Beam			2125	2
DI-2	15x55 Ceiling Distance Board			2215	2
DI-3	15x55 Ceiling Distance Board			2125	2
	SPU Insulation Panel 30x600x1200				6
STP-1	15x90 Ceiling Board		<i>Thermo spruce</i>	1815	28+2

Marking	Detail	Image	Note	Length	Pcs.
	Joist Hanger 45x97		for fixing ceiling beams		4
	Screw 5x40		<i>for joist hangers</i>		32
	Screw 4.5x70		<i>for beams and distance boards</i>		50
	Screw 3.5x50		<i>for 01F roof block</i>		5
	Nail 70 mm		<i>for KL-1 roof boards</i>		200
	Lost-head nail 40 mm		<i>for STP-1 ceiling boards</i>		120
	Foil Tape		for SPU insulation panels	10 m	2

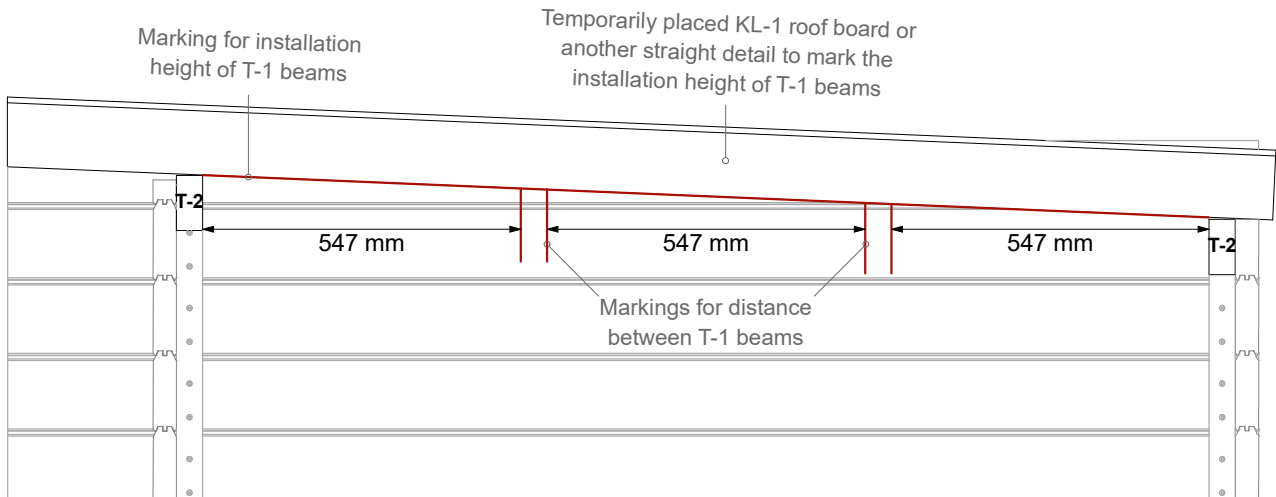
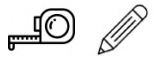
3.1 Attach the T-2 beam to the front and back walls. Leave ~2 mm gap at both ends. Make sure that the top side of the beams is flush with the upper edge of the front and back walls. Use 4.5x70 screws and a drill to fix the beams to the walls (Scheme 3.1).



Scheme 3.1

STEP 3 - Roof boards and ceiling

3.2 Temporarily lay one KL-1 roof board or some other straight detail on top of the front and back walls. Mark the diagonal that forms under the detail on the side walls with a pencil. These markings will determine the installation height of the T-1 ceiling beams. Measure out the distance from T-2 beams and mark the locations on both side walls, like shown in Scheme 3.2. These markings will indicate the spacing between the ceiling beams.

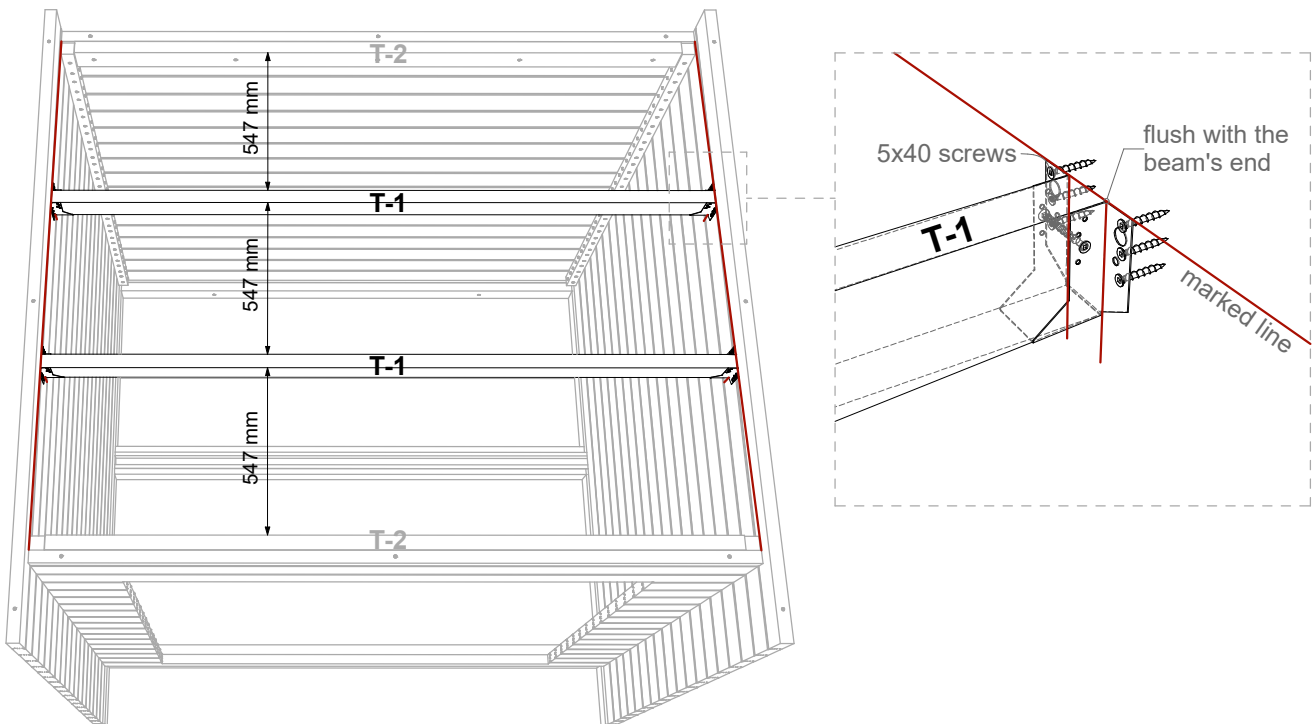


Scheme 3.2

3.3 Attach the joist hangers to the T-1 ceiling beams, flush with the beams ends (Scheme 3.3). Use 5x40 screws.



3.4 Fasten the T-1 ceiling beams to the side walls through the joist hangers in the previously marked location, like shown in Scheme 3.3. Use 5x40 screws to fix the joist hangers to the beams and walls.



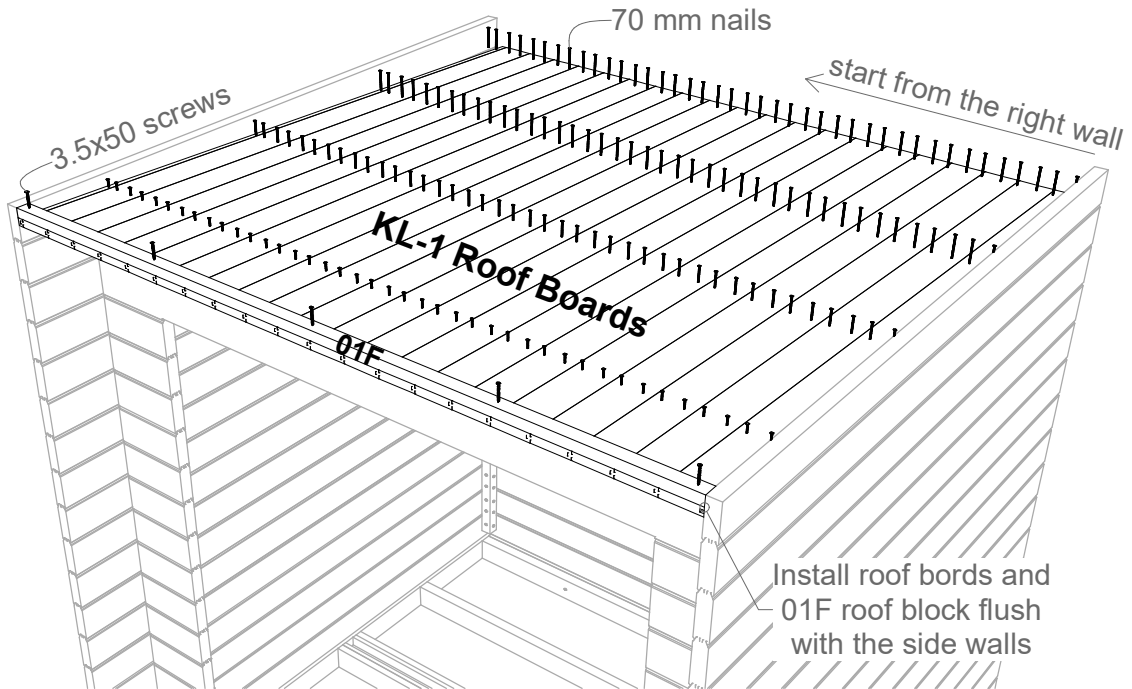
Scheme 3.3

STEP 3 - Roof boards and ceiling

3.5 Install the roof boards flush with the side walls, starting from the right. Fix the roof boards with 70 mm nails to the beams (8 nails per every roof board) using a hammer or a nailgun. Cut the last roof board to width using a circular saw.

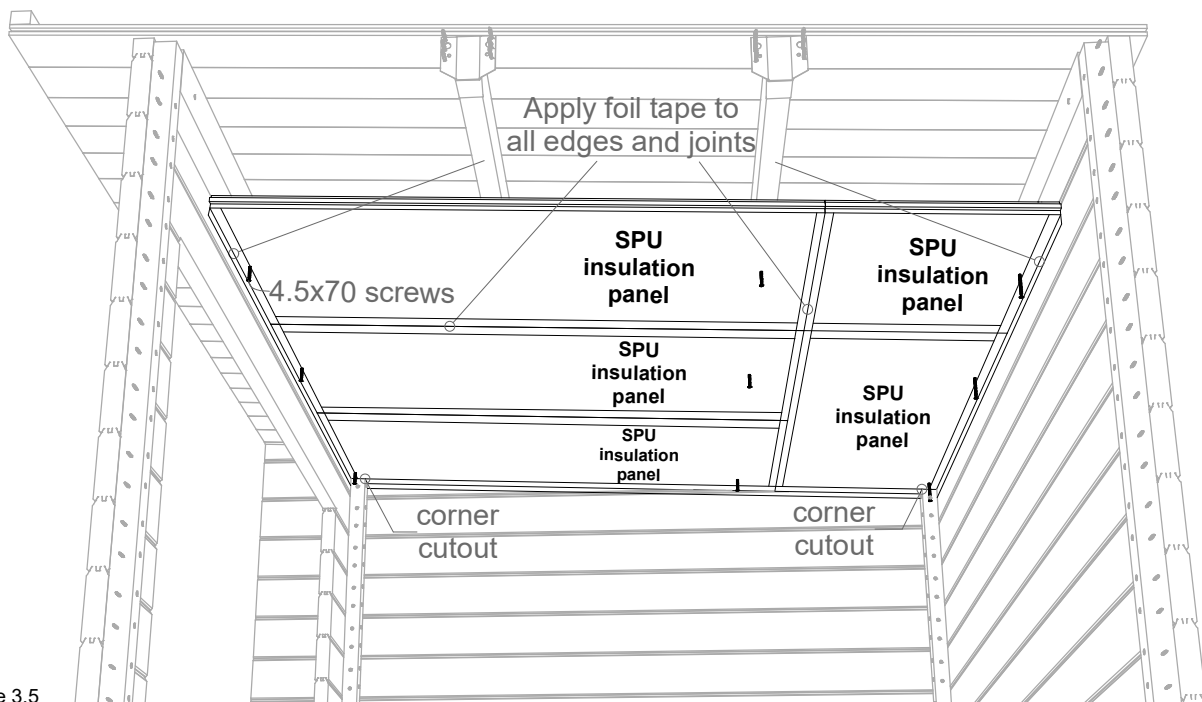


3.6 When all the roof boards are installed, fasten the 01F roof block on top of the roof boards, flush with the front edge, like shown in Scheme 3.4. Use 3.5x50 screws for fixing.



Scheme 3.4

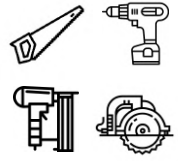
3.7 Cut the SPU insulation panels to the right size using a cutting knife. Make cutouts in the corners for corner posts. Attach the panels to the ceiling beams using a few 4.5x70 screws. Tape all edges and joints with foil tape to prevent heat loss, like shown in Scheme 3.5.



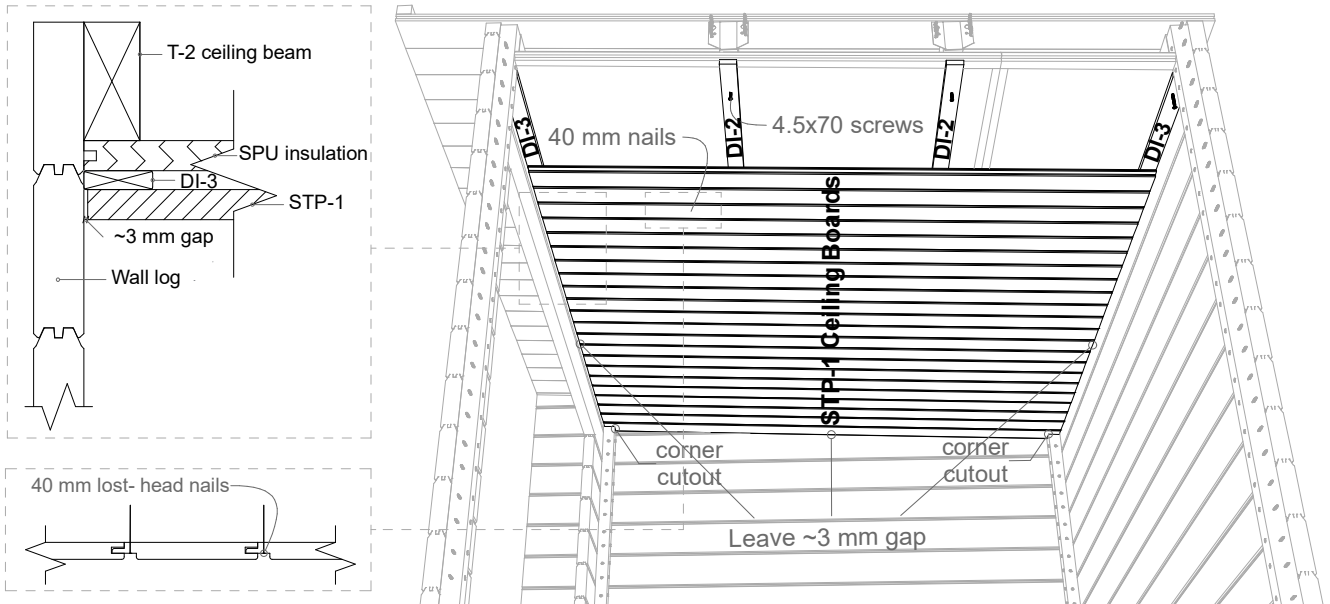
Scheme 3.5

STEP 3 - Roof boards and ceiling

3.8 Place the DI-2 and DI-3 ceiling distance boards on top of the insulation panels and fasten them to the ceiling beams with 4.5x70 screws.



3.9 Install the ceiling lining boards on top of the distance boards. Leave ~3 mm gap between the ceiling boards and the walls on all sides. Use 40 mm lost-head nails (4 per every ceiling board) and a hammer or nail gun for fixing. Make corner cutouts with a hand saw in the first and last ceiling boards for corner posts, and cut the last ceiling board to width using a circular saw (Scheme 3.6).

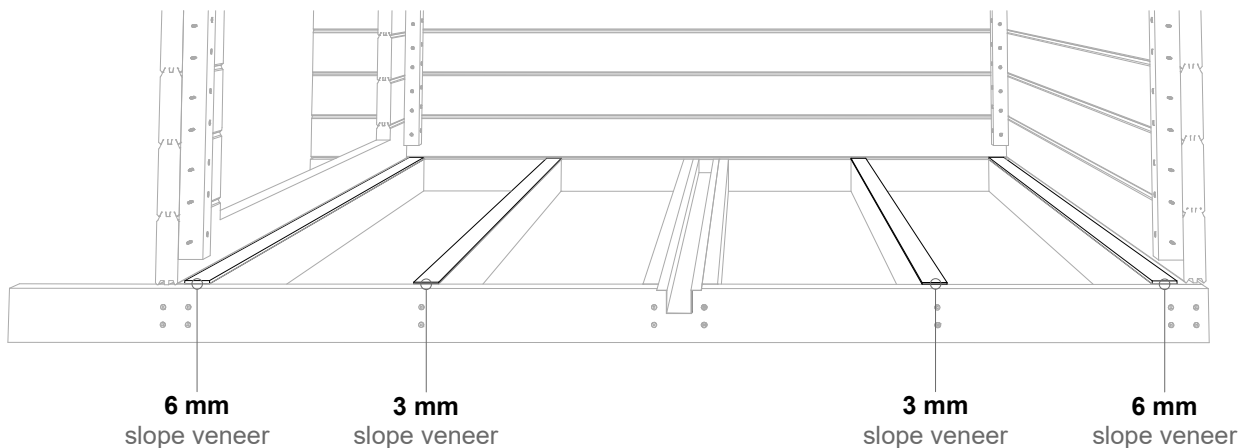


Scheme 3.6

STEP 4 - Floor

Marking	Detail	Image	Note	Length	Pcs.
	3 mm Floor slope veneer			2200	2
	6 mm Floor slope veneer			2200	2
PL-1	24x120 Floor Board			892	40+2
Marking	Detail	Image	Note	Length	Pcs.
	Screw 3.5x50		for floor boards		120

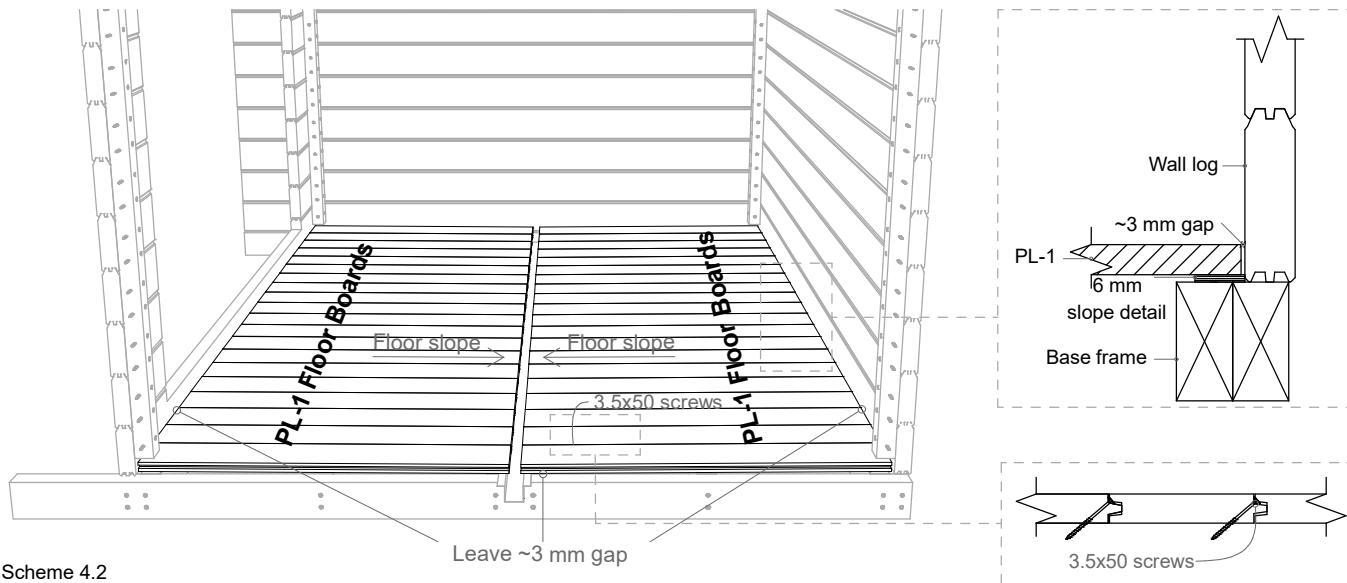
4.1 Place the slope veneers on the base frame to give the floor a slope for water drainage. Fixing the details to the base frame with screws is optional (Scheme 4.1).



Scheme 4.1

STEP 4 - Floor

4.2 Install the floor boards starting from the right. Leave ~3 mm gap between the floor boards and walls at all sides. Cut the last floor board to width using a circular saw. Use 3.5x50 screws to fix the floor boards in place (Scheme 4.2).



Scheme 4.2

STEP 5 - Doors and windows

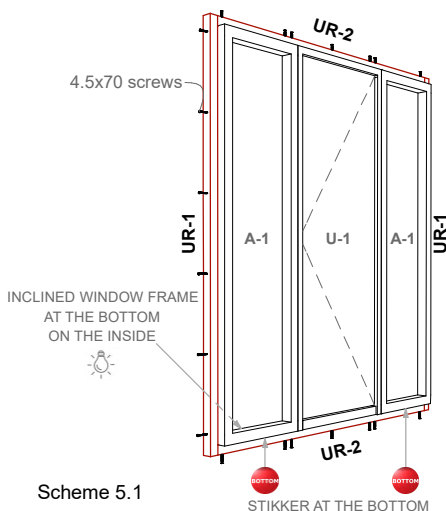
Marking	Detail	Image	Note	Length	Pcs.
U-1	Glass Door 88x690x1860		Metal + Wooden door handle		1
A-1	Window 88x495x1860				2
UR-1	45x45 Door/ Window frame			1950	2
UR-2	45x45 Door/ Window Frame			1680	2
	Screw 4.5x70		for door and window frames		50

5.1 Connect the door and windows together by attaching the UR-1 and UR-2 frame details around them using 4.5x70 screws (Scheme 5.1). **Attention!** When installing the window, make sure that the inclined frame is located indoors, at the bottom of the window. The bottom side is marked with a sticker.

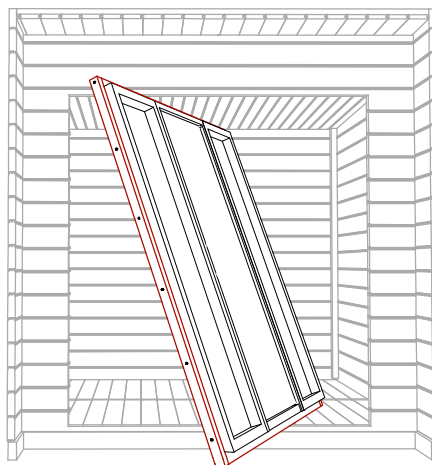


5.2 Lift and tilt the door and windows diagonally into the opening (Scheme 5.2). Place them to their positions from inside the sauna. For easier installation, remove the glass from the door hinges to reduce the weight of the door.

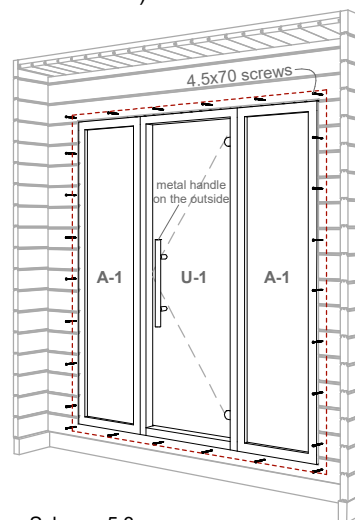
5.3 Fix the door and window frames to Wall 2 (front) from the outside using 4.5x70 screws (Scheme 5.3). Attach the glass back to the door hinges and fix the door handles to the glass door so that the metal handle is located on the outside and the wooden handle on the inside. The difference in material can be detected by sound (tap on the handles).



Scheme 5.1





Scheme 5.2



Scheme 5.3

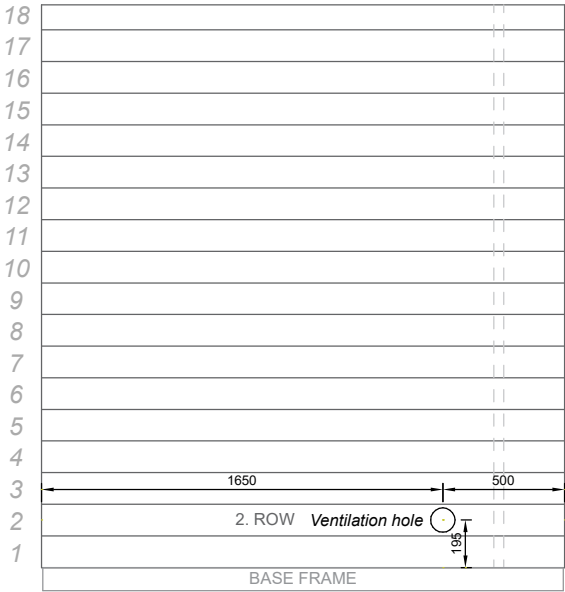
STEP 6 - Ventilation

Marking	Detail	Image	Note	Length	Pcs.
	Ventilation Valve Ø100		wood		1
	Ventilation Grid Ø100		metal		5
	Screw 3x40 Black				25

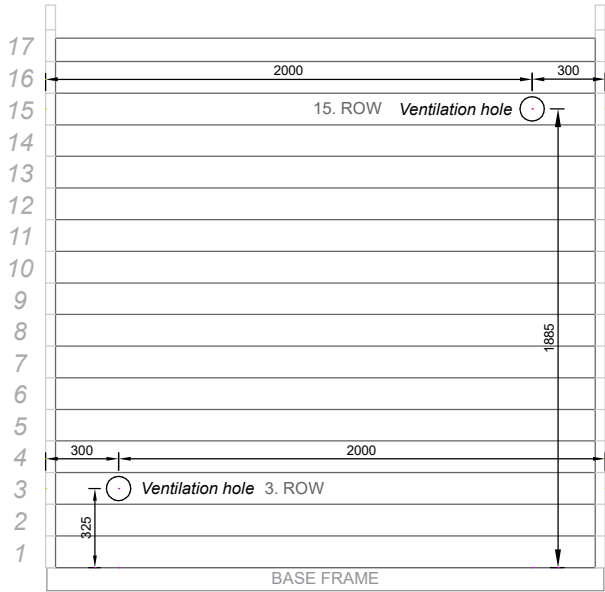
6.1 Cut the ventilation holes in the walls with a diameter of 100 mm using a hole saw or a jigsaw. For recommended locations of ventilation openings see Scheme 6.1



Wall A (left)
View from the outside

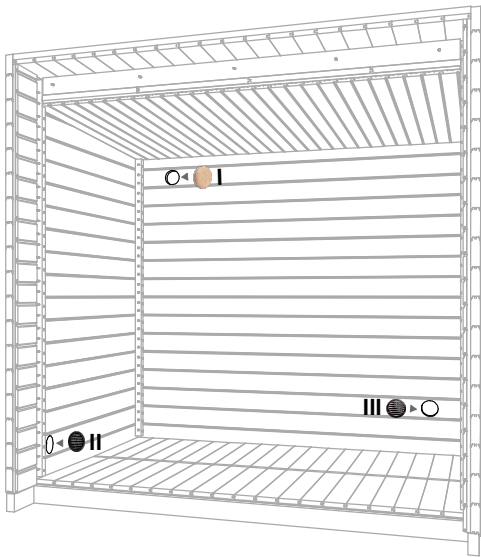


Wall 1 (back)
View from the outside



Scheme 6.1

6.2 Cover the openings with ventilation grids or valves, as shown in Scheme 6.2. Use 3.5x40 black screws for fixing.



I - EXHAUST OPENING

Install the metal ventilation grid on the outside and the wooden valve on the inside.
 The exhaust opening with the valve inside is located under the ceiling, and its purpose is to dry the steam room after using the sauna. The ventilation valve should be closed while using the sauna. Open the valve after using the sauna to expel excess moisture through the opening. For faster drying, leave the steam room door ajar after a sauna session.
 The ventilation valve can also be opened between steam sessions if there are many people in the steam room at the same time and excessive humidity or a lack of air occurs.

II - INLET

Install a metal ventilation grid inside and outside.

III - OUTLET

Install a metal ventilation grid inside and outside.

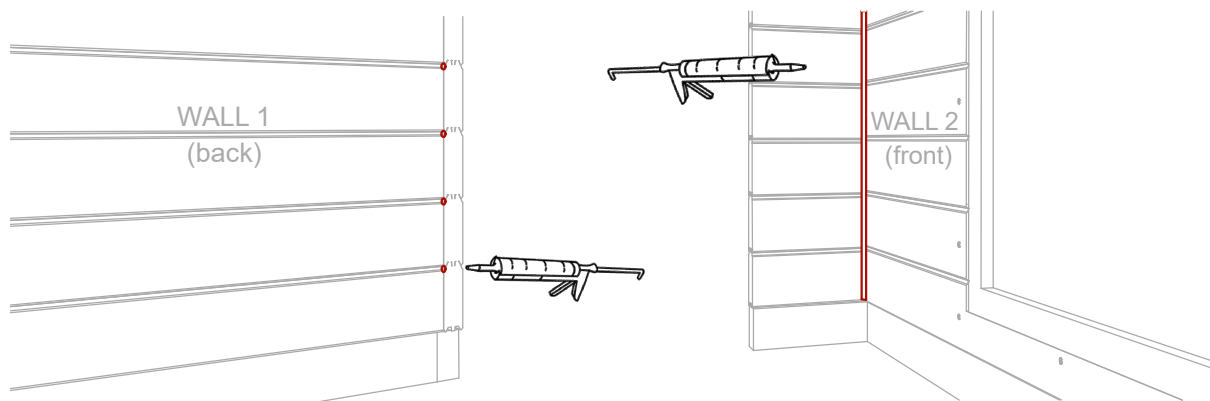
Scheme 6.2

STEP 7 - Outer lining and moldings

Marking	Detail	Image	Note	Length	Pcs.
DI-1	15x55 Distance Board for Outer Lining			2250	4
STP-2	14x121 Outer Lining Board			250	42+2
L-1	18x95 Roof/ Corner Molding		<i>Cut to length!</i>	~2400	3
EXTRA	18x95 Roof/ Corner Molding			~2400	1
L-2	18x95 Roof/ Corner Molding		<i>Cut to length!</i>	~2230	8
UL-1	18x95 Door/ Window Molding			1925	2
UL-2	18x95 Door/ Window Molding			1900	1
UL-3	18x95 Door/ Window Molding			1660	1
UL-4	12x42 Door/ Window Molding			~2200	2

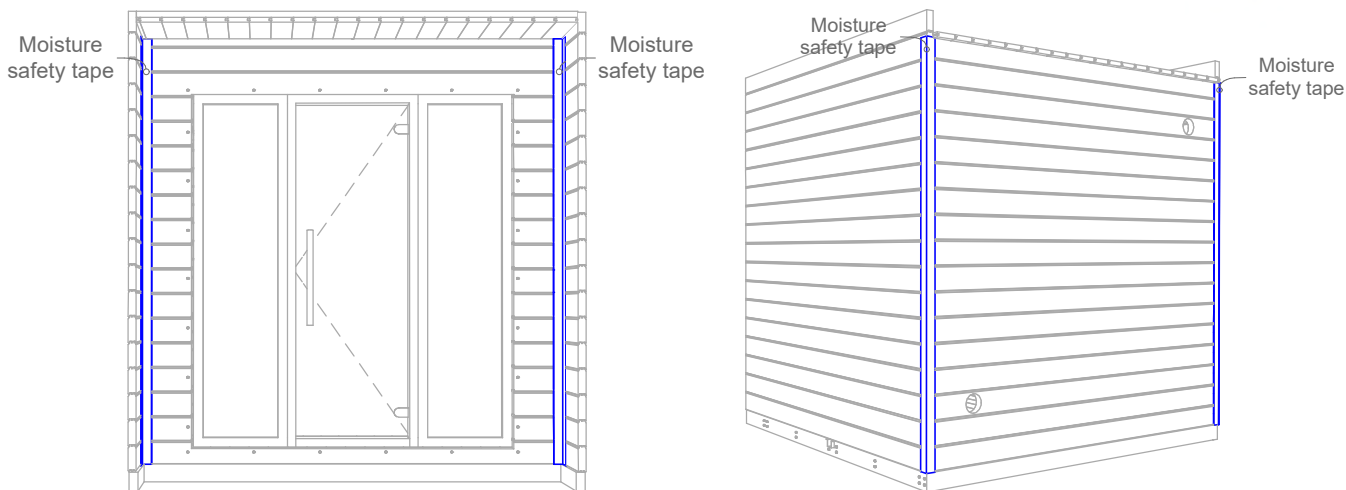
Marking	Detail	Image	Note	Length	Pcs.
	Transparent silicone		for all outside corners		1
	Moisture safety tape		for all outside corners	10 m	1
	Screw 3x40 Black		for distance boards and moldings		225
	Lost-head nail 40 mm		for outer lining boards		100
	Teknos Aqua Primer - Black				1

7.1 Seal the outside corners of the sauna with transparent silicone, as shown in Scheme 7.1. to prevent moisture and rainwater from entering the sauna.



Scheme 7.1

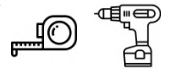
7.2 For extra protection, tape all outside corners of the sauna with moisture safety tape before installing the exterior moldings (Scheme 7.2).



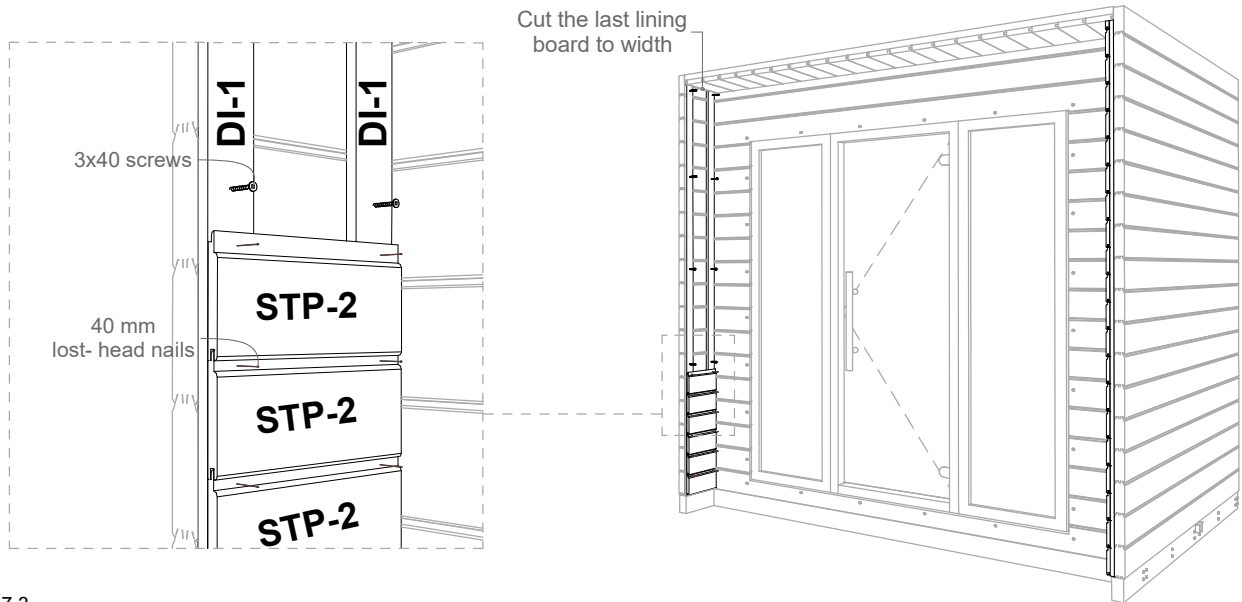
Scheme 7.2

STEP 7 - Outer lining and moldings

7.3 Measure the height of the protruding parts of the side walls and cut the DI-1 distance boards to the correct length if necessary. Attach the distance boards to the walls using 3x40 screws.



7.4 Install the STP-2 outer lining boards on top of the DI-1 distance boards, starting from the bottom. Cut the last lining board to the correct width. Use 40 mm lost-head nails to fasten the lining boards (2 nails per board). See Scheme 7.3.



Scheme 7.3

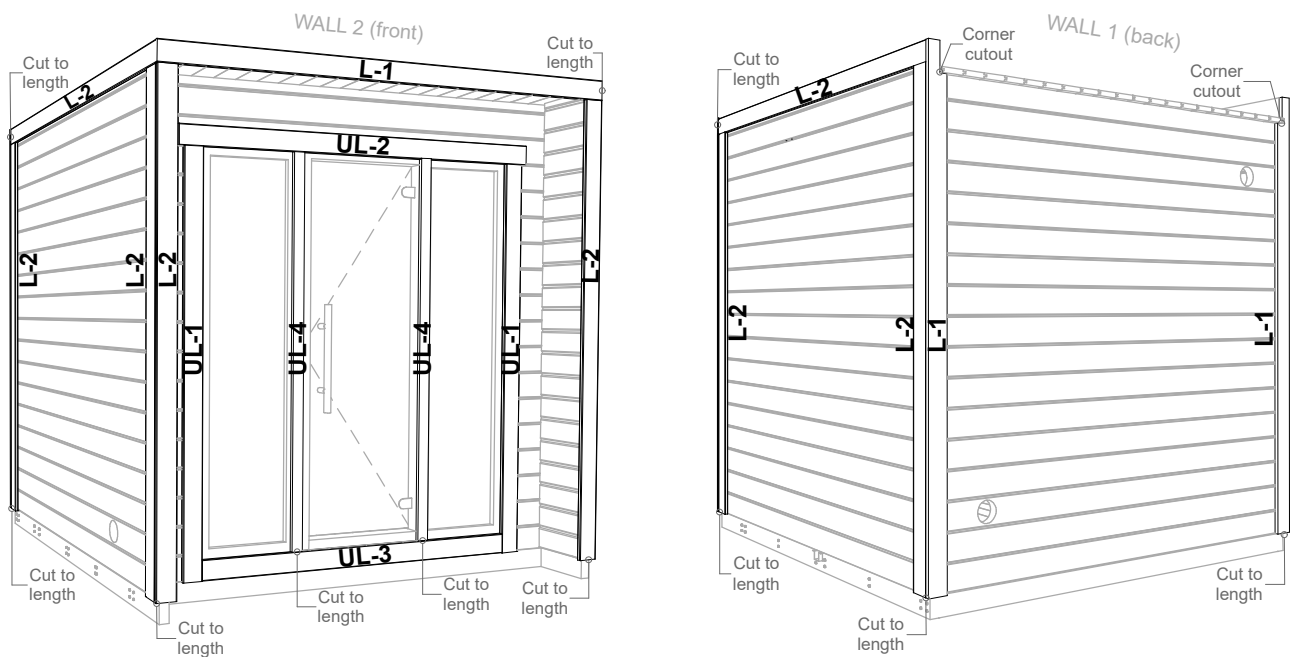
7.5 First, fix the L-2 roof moldings to the side walls. The moldings must be installed flush with the upper edges of the side walls. Cut the moldings to length and fasten them with 3x40 black screws.



7.6 Next, measure and cut to length the L-1 roof molding at the front, and fasten it to the 01F roof block and side walls.



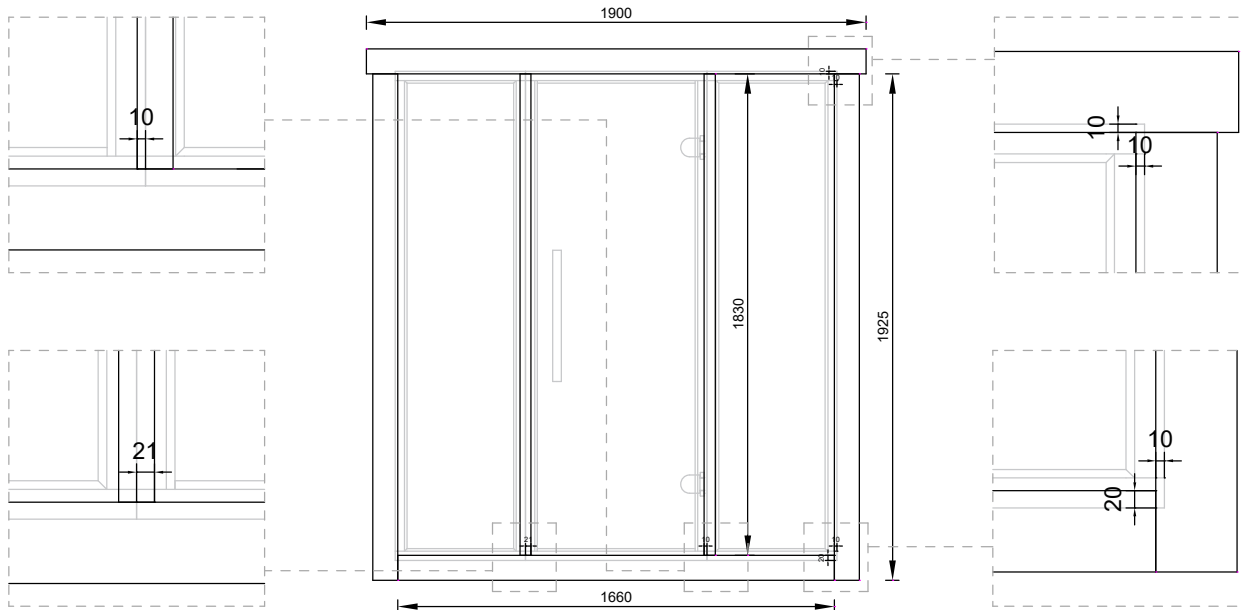
7.7 Make corner cutouts in L-1 corner moldings as marked in Scheme 7.4. Cut them to length and use 3x40 black screws to fasten all the moldings.



Scheme 7.4

STEP 7 - Outer lining and moldings

7.8 Install the moldings around the door and windows using 3x40 black screws.
For the correct overlay, see Scheme 7.5.



Scheme 7.5

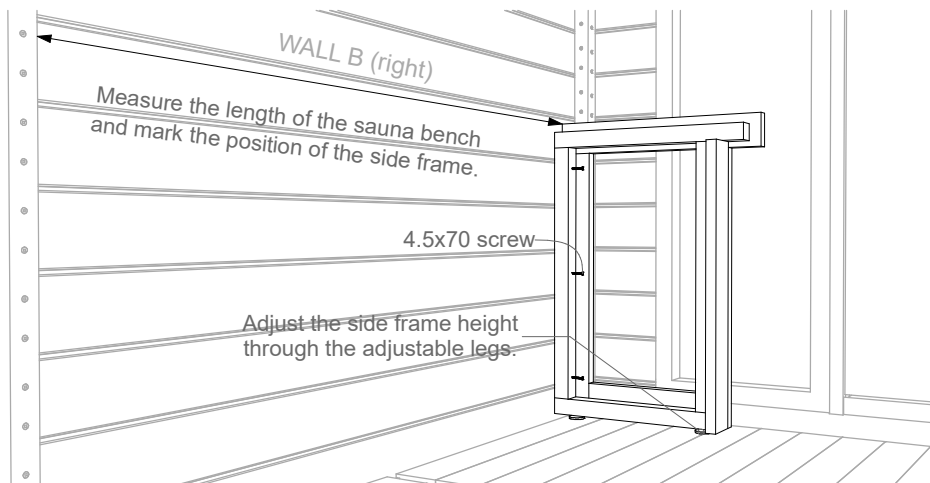
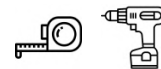
7.9 Paint over all cut ends of the moldings with black Teknos Aqua Primer.
Scan the QR code for more detailed product information.



STEP 8 - Sauna benches

Marking	Detail	Image	Note	Length	Pcs.
	Bench Module 600 mm		Top - Wall 1 (back)	2216	1
	Bench Module 600 mm		Bottom - Wall 1 (back)	2216	1
	Bench Module 600 mm		Top - Wall B (right)	1096	1
	Bench Skirt			2216	1
	Bench Horizontal Support Set 45x45				1
	Bench Side Frame		Includes 3 adjustable legs		1
	Extra Vertical Support		Includes 1 adjustable legs		1
	Screw 4.5x70		for all supports		50

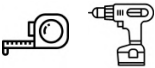
8.1 Measure the length of the sauna bench and mark the location of the side frame on Wall B (right). Adjust the height of the side frame through the adjustable legs. Fix the frame to the right wall using 4.5x70 screws, like shown in Scheme 8.1.



Scheme 8.1

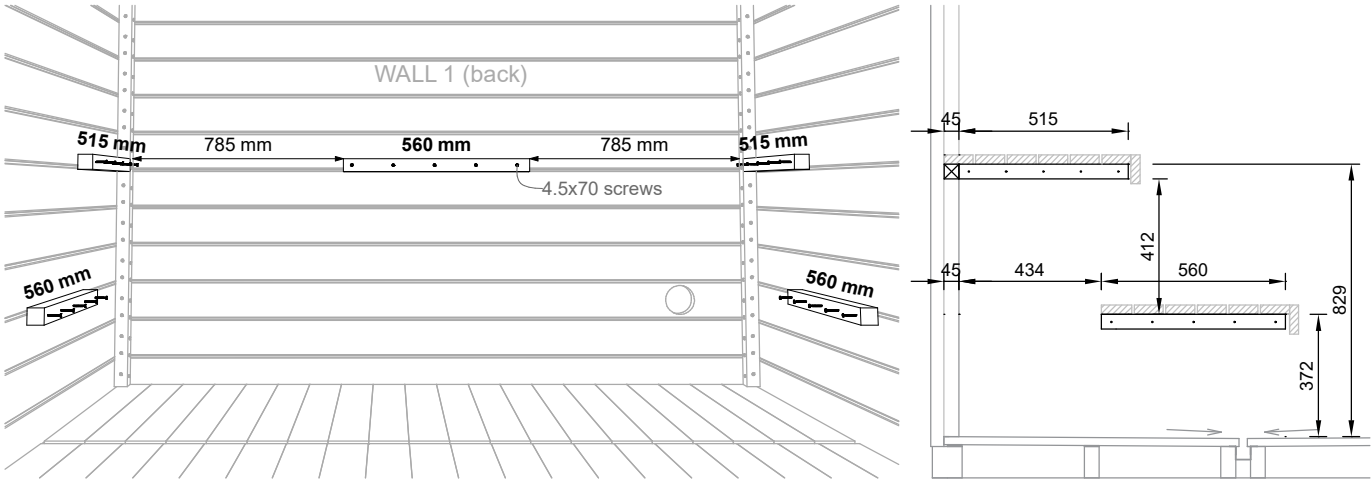
STEP 8 - Sauna benches

8.2 Measure the distance and fix the upper and lower bench supports to the walls according to Scheme 8.2.
 Use 4.5x70 screws for fixing.
 It is recommended to additionally use glue (not included) for fixing the sauna bench supports to the wall.



View from the front:

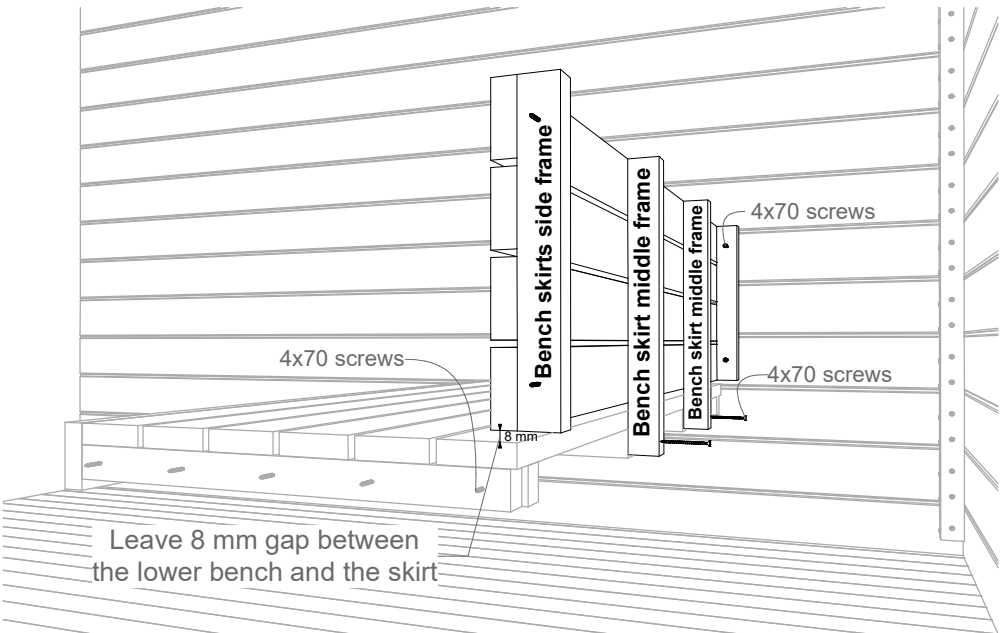
View from the side:



Scheme 8.2

8.3 Lift and place the bottom benches on top of the supports. If LED lighting under the sauna benches has been ordered additionally (not included in the standard set), install the LED strips under the benches before placing them on top of the supports. More detailed instructions are included with the lighting details.

8.4 Set the bench skirt in place. Leave a 8 mm gap between the skirt and the lower bench. Fix the skirt side frames to the side walls and the middle frame to the bottom bench, using 4x70 screws. See Scheme 8.3



Scheme 8.3

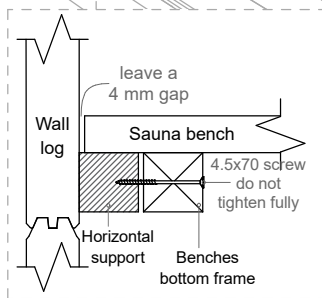
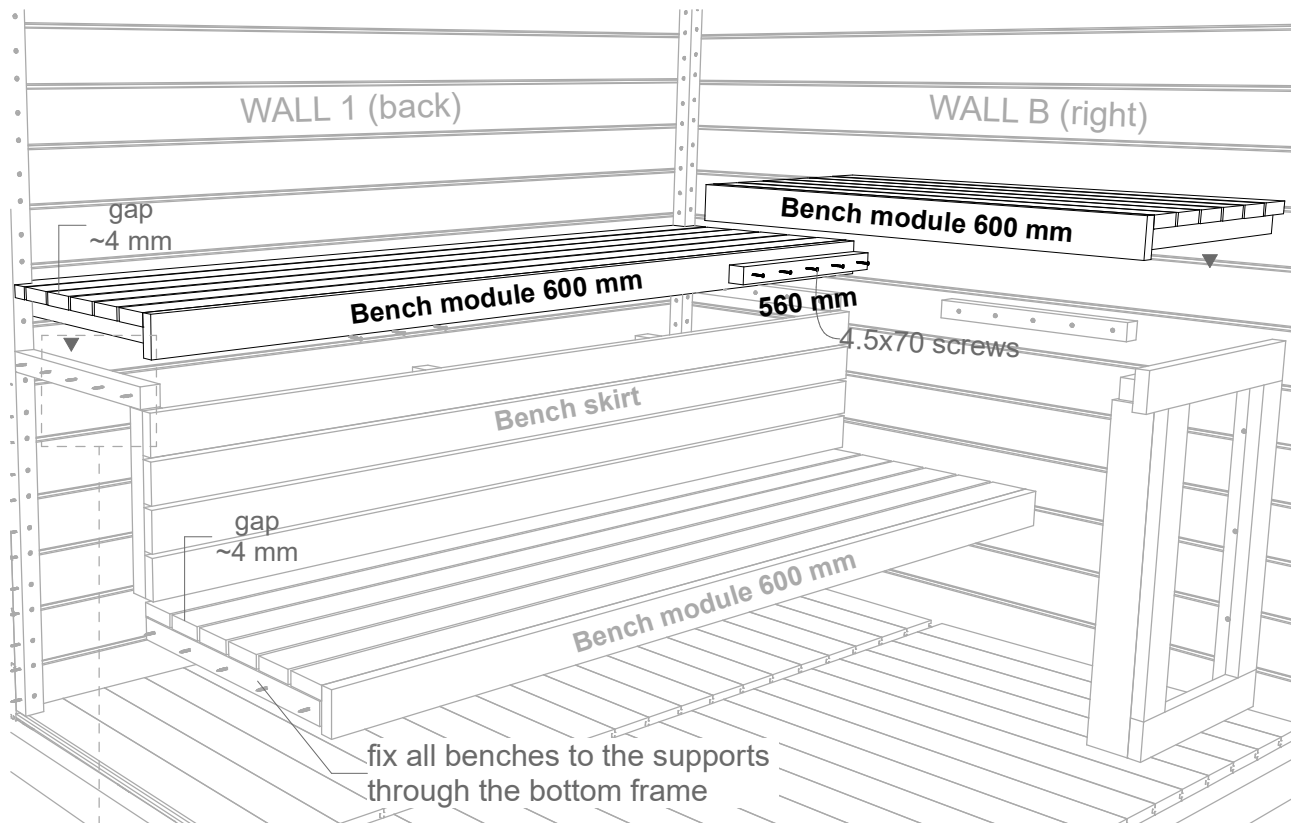
STEP 8 - Sauna benches

8.5 Attach the horizontal support for the right wall top bench to the back wall top bench using 4.5x70 screws.



8.6 Lift and place the top benches on top of the supports. Leave ~4 mm gap between the benches and the walls. Fix all the benches to the supports through the bench's bottom frame, using 4.5x70 screws. Do not fully tighten the screws. See Scheme 8.4.

8.7 If needed, place the extra vertical support under the top benches and fix it in place. Adjust the height of the support through the adjustable leg at the bottom.



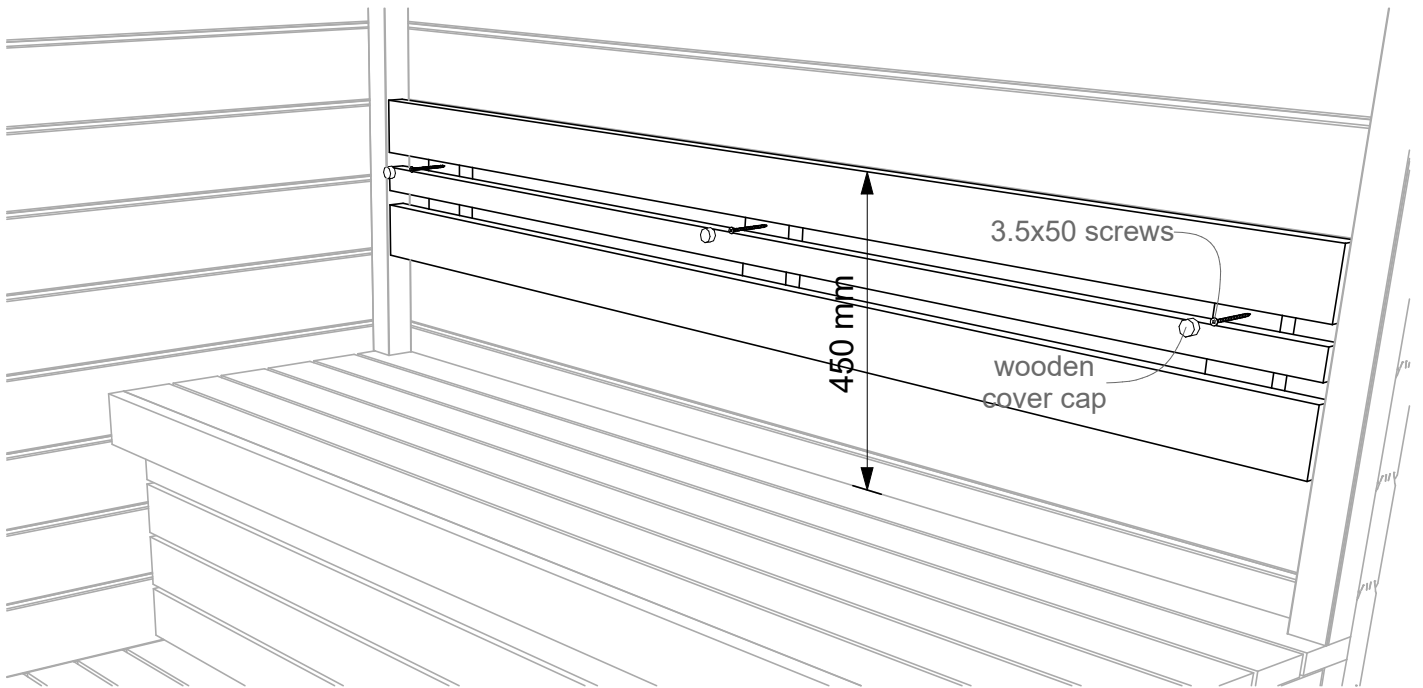
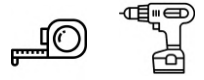
Scheme 8.4

EXTRA: Sauna Backrest (not included in the standard set)

Install the back rest approximately 450 mm higher from the top bench.

Use 4x40 screws to fix the back rest in place and cover the screw heads with wooden cover caps.

It is recommended to additionally use glue to fix the back rest to the wall.



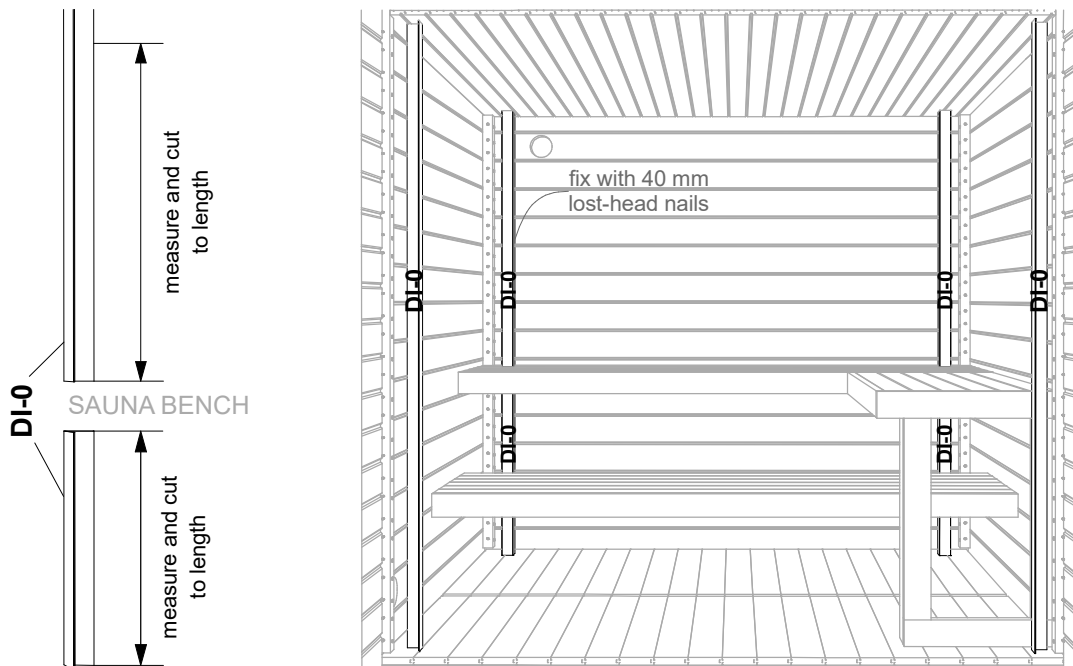
STEP 9 - Interior moldings

Marking	Detail	Image	Note	Length	Pcs.
DI-0	50X50 Corner Post Molding		<i>Cut to length!</i>	2100	4+1
DI-00	21x21 Ceiling and Floor Molding		<i>Cut to length!</i>	2400	8

Marking	Detail	Image	Note	Length	Pcs.
	40 mm lost-head nail		for all interior moldings		200

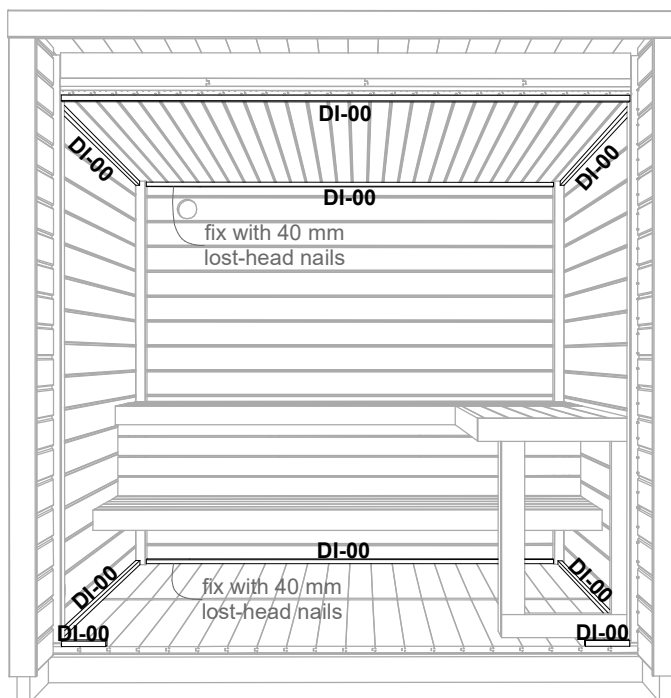
9.1 Measure and cut to length all DI-0 corner post moldings using a handsaw.

Install DI-0 corner molding on top of the corner posts, under and above the sauna bench, like shown in Scheme 9.1. Fasten the moldings with 40 mm lost-head nails, using a nail gun or a hammer.








Scheme 9.1

9.2 Measure and cut to length all DI-00 ceiling and floor moldings and fix them in place with 40 mm lost-head nails (Scheme 9.2).



Scheme 9.2

STEP 10 - Roof covering and roofing sheets

Marking	Detail	Image	Note	Length	Pcs.
	EPDM Rubber Roof Cover 2.34x3.05 m				1
	EPDM Glue		2.5 l		1
	EPDM Quickprime		125 ml		1
	Paint roller + Handle				1
	Metal drip edge		for back wall <i>Cut to length!</i>	2500 mm	1
	Metal roofing sheet		for front and side walls. <i>Cut to length!</i>	2400 mm	3

Marking	Detail	Image	Note	Length	Pcs.
	Black Wronic Screw 4.2x25		for metal drip edge		30
	Black Roofing Screw 4.8x25		for metal roofing sheets		50
	Splice Tape		for metal drip edge	2.3 m	1

10.1 Measure the overall width of the sauna and cut the metal drip edge to that length - 2 mm using sheet metal scissors. Wear gloves for protection.

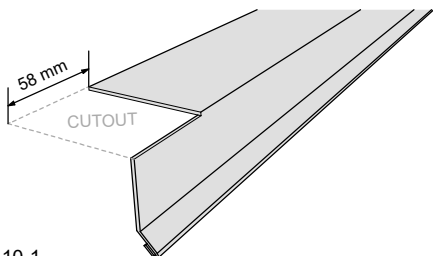


10.2 Measure and mark 58 mm on the top side of the drip edge at both ends, and cut these pieces out, as shown in Scheme 10.1.

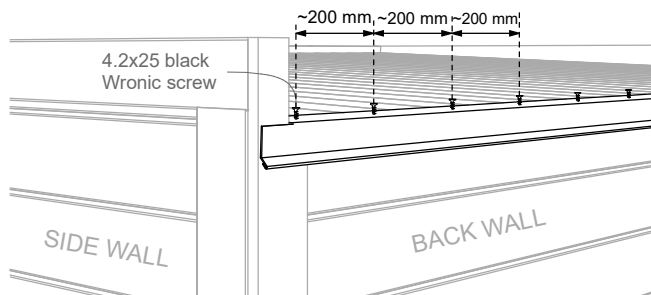
10.3 Place the drip edge on top of the roof boards and fasten it with 4.2x25 black Wronic screws. The distance between the screws should be approximately 200 mm. See Scheme 10.2.



Back wall metal drip edge:

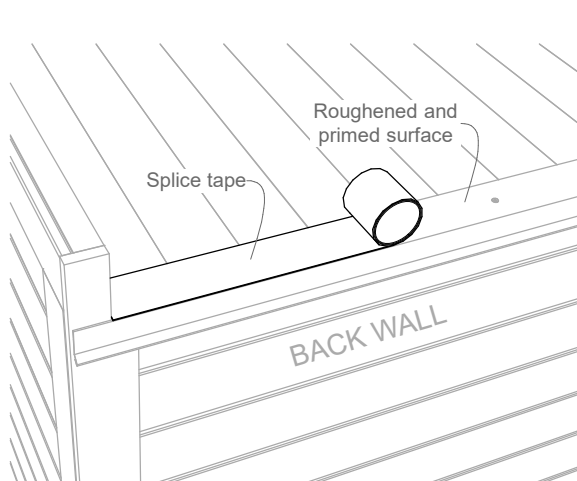


Scheme 10.1

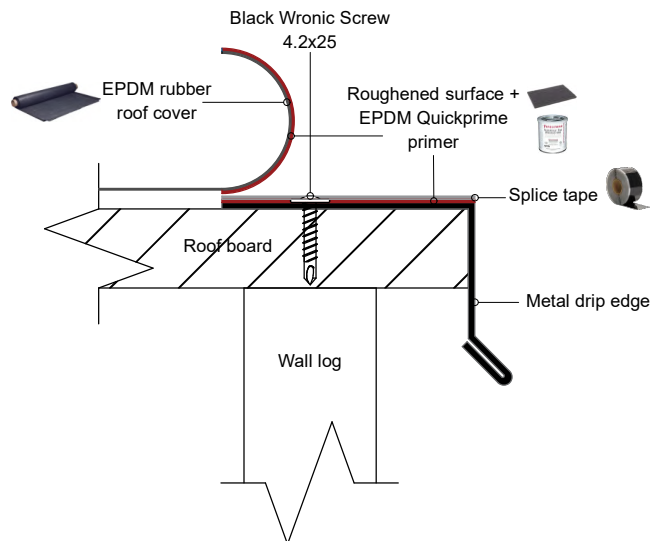


Scheme 10.2

10.4 Roughen the upper surface of the drip edge with a sanding pad and Apply EPDM Quickprime primer on top. Cut the double-sided splice tape to length, remove the cover from one side and place it on top of the primer coated drip edge. Do not remove the cover from the top side of the tape at this stage!

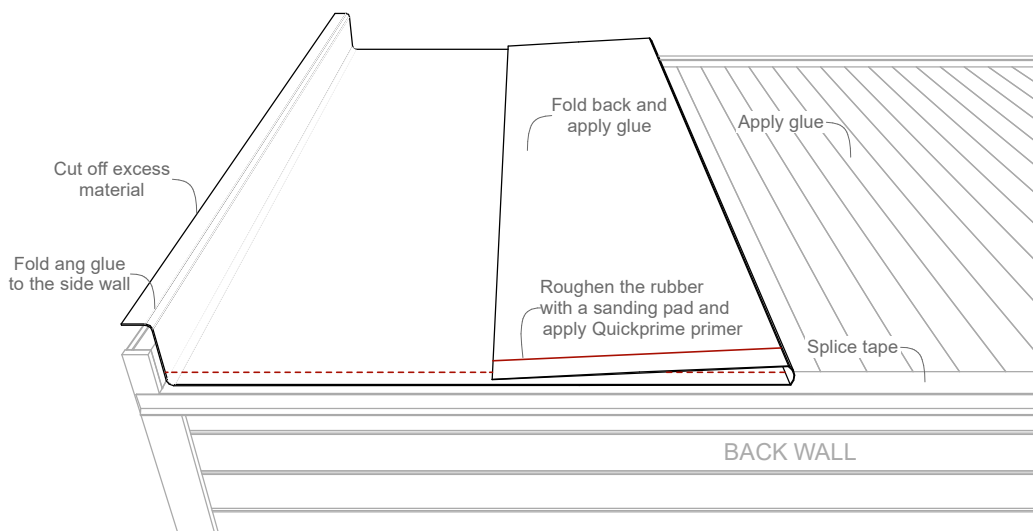
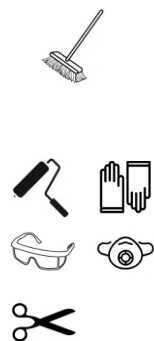


Scheme 10.3



STEP 10 - Roof covering and roofing sheets

- 10.5 Remove all debris and fasteners from the roof and clean the roof surface from dirt, dust, ice, snow, water, etc.
- 10.6 Before and during installation, inspect the packaging and EPDM roll for damage. Set the rubber roof cover in place. Make sure that it is parallel to the walls and extends equally on the sides of the sauna.
- 10.7 Fold back half of the roof cover and start applying the glue to both the roof boards and the rubber. At the back wall, leave about 10 cm unapplied so that the rubber can be attached to the splice tape later on. Do not initially apply any glue to the side walls. The part of the rubber that goes up the side walls will be glued later. Apply glue in a well-ventilated area using gloves, safety goggles, and a respirator (Image 2).
- 10.8 **ATTENTION!** Wait until the glue is dry to the touch on both surfaces (approximately 15 minutes or longer) before folding the rubber back in place. Sufficient waiting time is necessary to prevent the rubber from bubbling after it has been set in place.
- 10.9 Turn the glue coated rubber onto the coated roof boards and smooth it out with a broom or a brush. Prevent wrinkles and bubbles from forming. Repeat the same procedure with the other half of the roof cover and glue the rubber to the side walls.
- 10.10 Roughen the rubber at the back wall with a sanding pad and Apply EPDM Quickprime primer on top. Remove the top cover from the double-sided splice tape and tape the primed rubber to it. Cut off the excess material from all sides using scissors (Scheme 10.4).

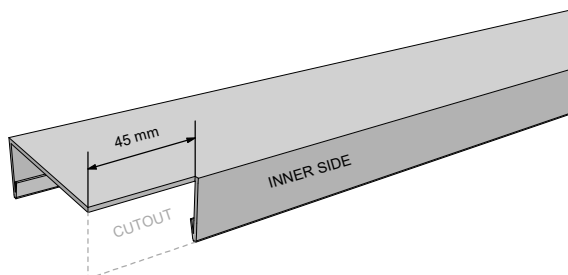


Scheme 10.4

- 10.9 Measure the overall depth of the sauna, add 160 mm to the measurement and cut the side wall roofing sheets to length using sheet metal scissors. Wear gloves for protection.
- 10.10 At the rear end, cut off 45 mm from the inner side of the roofing sheet, like shown on Scheme 10.5. At the front end, cut off 58 mm from the inner side of the roofing sheet, like shown on Scheme 10.6.

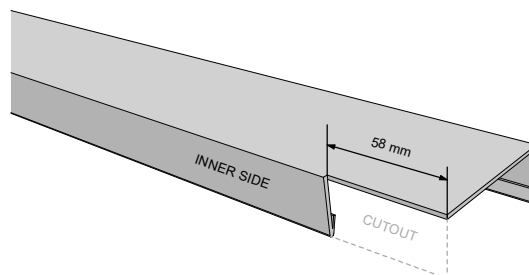


Side wall roofing sheet (rear end):



Scheme 10.5

Side wall roofing sheet (front end):



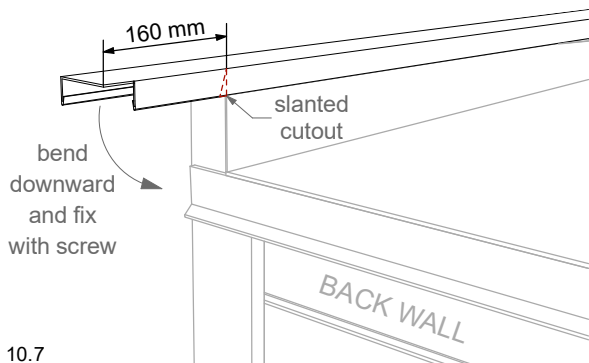
Scheme 10.6

STEP 10 - Roof covering and roofing sheets

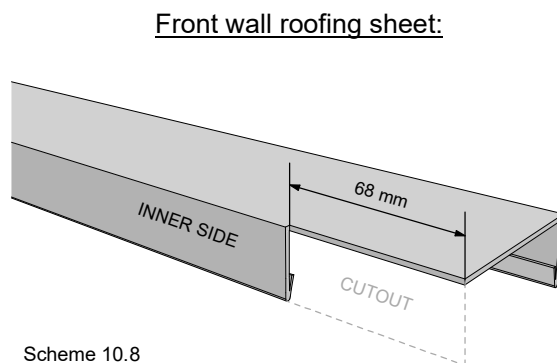
10.11 Install both side wall roofing sheets in place. Measure 160 mm at the rear end and make a slanted cutout. Bend the end downward using pliers and fix with 4.8x25 roofing screw (Scheme 10.7).



10.12 Measure the overall width of the sauna and cut the front wall metal roofing sheet to length. Cut off 68 mm from the inner side of the front wall roofing sheet at both ends, like shown on Scheme 10. 8.

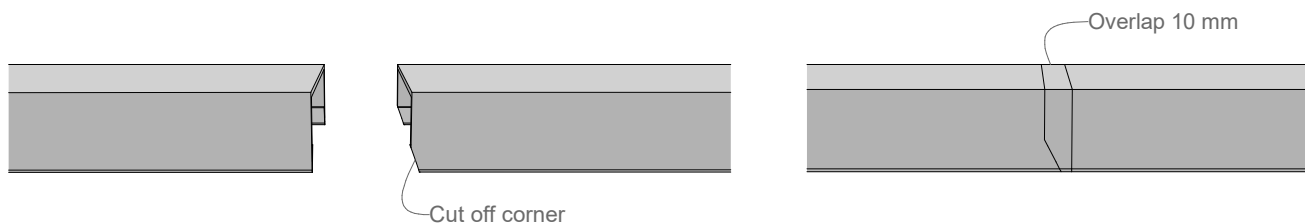


Scheme 10.7



Scheme 10.8

10.12 If the front wall sheet consists of two parts, continue them by placing two sheets on top of each other with an overlap of 10 mm. See Scheme 10.9.

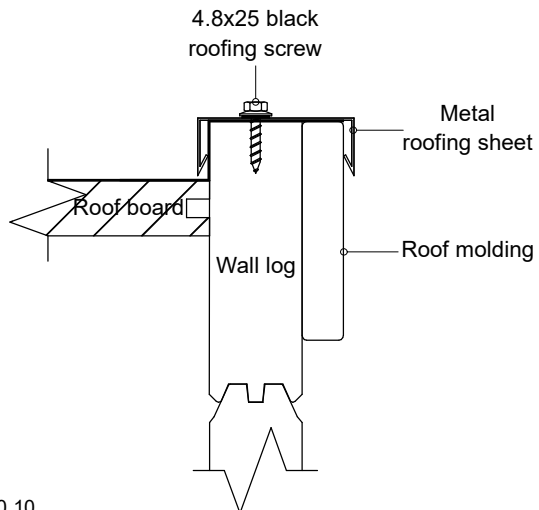


Scheme 10.9

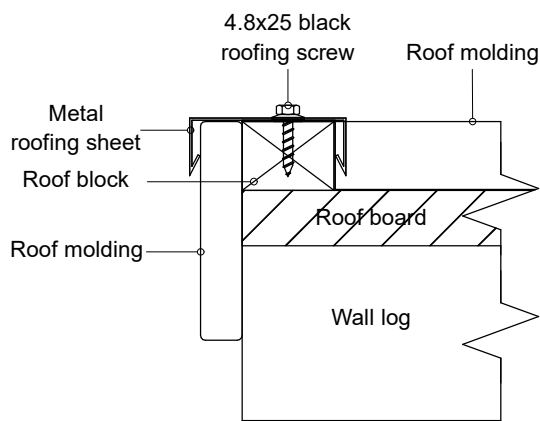
10.12 Fix all the roofing sheets to the side walls and the roof block at the front using 4.8x25 black roofing screws. The distance between the screws should be approximately 300 mm . (Scheme 10.10).



Side wall metal roofing sheet:



Front wall metal roofing sheet:



Scheme 10.10

Congratulations on a job well done!

You have successfully completed the installation and can soon start enjoying your new sauna.

Before the initial use, please read the maintenance and warranty guide and perform the necessary actions.

Maintenance

The interior surfaces of the sauna, the window frames of the steam and anteroom, and the frames of interior doors must be treated with a special substance before initial use, to protect the wood from humidity and dirt and extend the service life of the sauna.

Before initial use of the sauna and once a year after that, the door, doorframe, threshold, and window frames, as well as the floors of the anteroom should be treated with Teknos Helo Aqua 40 lacquer.

The benches and backrests must be treated with a protective oil, to extend their service life. This procedure should be repeated once or twice a year in the future.

Suitable products for this purpose:

- TEKNOS Satu Saunasuojaor
- Tikkurila Supi Saunasuoja May

The exterior surfaces of the sauna need to be given the first protective coating right after installation. The second coating should be applied approximately two months after installing the sauna, to maintain its appearance. Use Remmers HK-Lasur for this purpose.

The seller is not liable for any damage caused to the sauna due to insufficient maintenance or no maintenance at all.

Warranty

The products have a 24-month warranty period covering material and production defects, taking effect from the delivery of the sauna to the client.

The warranty is valid, if the user has reviewed the user manuals and abides by it.

The warranty does not cover characteristics of wood, such as discoloration or cracks caused by alternating or excess humidity, etc.

The warranty does not cover normal wear and tear of the product caused by its use. Any damage caused by incorrect installation or use is not compensated.

The warranty does not cover damage caused by thunder or other weather phenomena.

The warranty does not cover damage caused by incorrect installation by the client.

The warranty expires when attempts are made to independently change or fix the product or if it is not used for its intended purpose.

The warranty is void if the product is stored in an incorrect position or in the wrong conditions.

The warranty is valid if the buyer informs the seller of the defect within a reasonable time (7 days).

In the case of material unavailability, some details may be delivered in two parts, which need to be continued during installation. Such cases are not included in the scope of reclamations.